

F Y H



| KOD | FİYAT | d | J | L | H |
|---------|----------|----|-----|-----|-------|
| UCP 201 | \$17,50 | 12 | 95 | 127 | 30,2 |
| UCP 202 | \$17,50 | 15 | | | 30,2 |
| UCP 203 | \$15,91 | 17 | | | 30,2 |
| UCP 204 | \$17,50 | 20 | | | 33,3 |
| UCP 205 | \$18,84 | 25 | 105 | 140 | 36,5 |
| UCP 206 | \$26,54 | 30 | 121 | 165 | 42,9 |
| UCP 207 | \$30,93 | 35 | 127 | 167 | 47,6 |
| UCP 208 | \$37,83 | 40 | 137 | 184 | 49,2 |
| UCP 209 | \$42,70 | 45 | 146 | 190 | 54 |
| UCP 210 | \$50,40 | 50 | 159 | 206 | 57,2 |
| UCP 211 | \$63,76 | 55 | 171 | 219 | 63,5 |
| UCP 212 | \$82,73 | 60 | 184 | 241 | 69,8 |
| UCP 213 | \$110,35 | 65 | 203 | 265 | 76,2 |
| UCP 214 | \$132,49 | 70 | 210 | 266 | 79,4 |
| UCP 215 | \$152,70 | 75 | 217 | 275 | 82,6 |
| UCP 216 | \$182,92 | 80 | 232 | 292 | 88,9 |
| UCP 217 | \$223,27 | 85 | 247 | 310 | 95,2 |
| UCP 218 | \$279,17 | 90 | 262 | 327 | 101,6 |
| | | | | | |
| | | | | | |

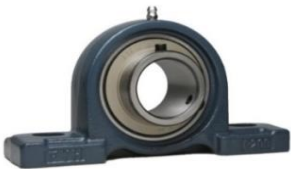
| KOD | FİYAT | d | J | L | H |
|---------|------------|-----|-----|-----|-----|
| UCP 305 | \$36,62 | 25 | 132 | 175 | 45 |
| UCP 306 | \$44,77 | 30 | 140 | 180 | 50 |
| UCP 307 | \$54,00 | 35 | 160 | 210 | 56 |
| UCP 308 | \$64,81 | 40 | 170 | 220 | 60 |
| UCP 309 | \$85,91 | 45 | 190 | 245 | 67 |
| UCP 310 | \$108,66 | 50 | 212 | 275 | 75 |
| UCP 311 | \$135,93 | 55 | 236 | 310 | 80 |
| UCP 312 | \$160,65 | 60 | 250 | 330 | 85 |
| UCP 313 | \$185,40 | 65 | 260 | 340 | 90 |
| UCP 314 | \$231,57 | 70 | 280 | 360 | 95 |
| UCP 315 | \$272,55 | 75 | 290 | 380 | 100 |
| UCP 316 | \$338,90 | 80 | 300 | 400 | 106 |
| UCP 317 | \$385,70 | 85 | 320 | 420 | 112 |
| UCP 318 | \$419,43 | 90 | 330 | 430 | 118 |
| UCP 319 | \$520,96 | 95 | 360 | 470 | 125 |
| UCP 320 | \$606,20 | 100 | 380 | 490 | 140 |
| UCP 322 | \$826,10 | 110 | 400 | 520 | 150 |
| UCP 324 | \$1.047,23 | 120 | 450 | 570 | 160 |
| UCP 326 | \$1.424,47 | 130 | 480 | 600 | 180 |
| UCP 328 | \$1.730,18 | 140 | 500 | 620 | 200 |

(UKP.. Serileri Konik Rulmanlıdır. (d) Mil çapı ölçüsü Manşon Takılı olarak Verilmiştir.

Yatak ölçüleri (UCP) Serisi ile aynıdır . Fiyatlarımıza Manşon **DAHİL DEĞİLDİR.**

| KOD | FİYAT | d | Manşon |
|---------|----------|----|---------------|
| UKP 205 | \$18,84 | 20 | H 305 / H2305 |
| UKP 206 | \$26,54 | 25 | H 306 / H2306 |
| UKP 207 | \$30,93 | 30 | H 307 / H2307 |
| UKP 208 | \$37,83 | 35 | H 308 / H2308 |
| UKP 209 | \$42,70 | 40 | H 309 / H2309 |
| UKP 210 | \$50,40 | 45 | H 310 / H2310 |
| UKP 211 | \$63,76 | 50 | H 311 / H2311 |
| UKP 212 | \$82,73 | 55 | H 312 / H2312 |
| UKP 213 | \$110,35 | 60 | H 313 / H2313 |
| UKP 215 | \$152,70 | 65 | H 315 / H2315 |
| UKP 216 | \$182,92 | 70 | H 316 / H2316 |
| UKP 217 | \$223,27 | 75 | H 317 / H2317 |
| UKP 218 | \$279,17 | 80 | H 318 / H2318 |

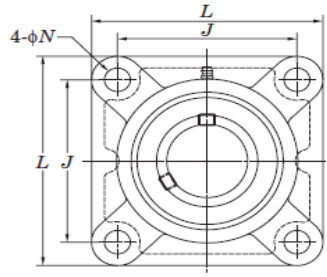
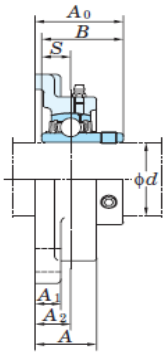
| KOD | FİYAT | d | Manşon |
|---------|------------|-----|--------|
| UKP 305 | \$36,62 | 20 | H 2305 |
| UKP 306 | \$44,77 | 25 | H 2306 |
| UKP 307 | \$54,00 | 30 | H 2307 |
| UKP 308 | \$64,81 | 35 | H 2308 |
| UKP 309 | \$85,91 | 40 | H 2309 |
| UKP 310 | \$108,66 | 45 | H 2310 |
| UKP 311 | \$135,93 | 50 | H 2311 |
| UKP 312 | \$160,65 | 55 | H 2312 |
| UKP 313 | \$185,40 | 60 | H 2313 |
| UKP 315 | \$272,55 | 65 | H 2315 |
| UKP 316 | \$338,90 | 70 | H 2316 |
| UKP 317 | \$385,70 | 75 | H 2317 |
| UKP 318 | \$419,43 | 80 | H 2318 |
| UKP 319 | \$520,96 | 85 | H 2319 |
| UKP 320 | \$606,20 | 90 | H 2320 |
| UKP 322 | \$826,10 | 100 | H 2322 |
| UKP 324 | \$1.047,23 | 110 | H 2324 |
| UKP 326 | \$1.424,47 | 115 | H 2326 |
| UKP 328 | \$1.730,18 | 125 | H 2328 |



UCP...



UKP...



F Y H



| KOD | FİYAT | d | J | L | B |
|---------|----------|----|-----|-----|------|
| UCF 201 | \$17,50 | 12 | 64 | 86 | 31 |
| UCF 202 | \$17,50 | 15 | | | 31 |
| UCF 203 | \$15,91 | 17 | | | 31 |
| UCF 204 | \$17,50 | 20 | | | 31 |
| UCF 205 | \$18,84 | 25 | 70 | 95 | 34,1 |
| UCF 206 | \$26,54 | 30 | 83 | 108 | 38,1 |
| UCF 207 | \$30,93 | 35 | 92 | 117 | 42,9 |
| UCF 208 | \$37,83 | 40 | 102 | 130 | 49,2 |
| UCF 209 | \$42,70 | 45 | 105 | 137 | 49,2 |
| UCF 210 | \$50,40 | 50 | 111 | 143 | 51,6 |
| UCF 211 | \$63,76 | 55 | 130 | 162 | 55,6 |
| UCF 212 | \$82,73 | 60 | 143 | 175 | 65,1 |
| UCF 213 | \$110,35 | 65 | 149 | 187 | 65,1 |
| UCF 214 | \$132,49 | 70 | 152 | 193 | 74,6 |
| UCF 215 | \$152,70 | 75 | 159 | 200 | 77,8 |
| UCF 216 | \$182,92 | 80 | 165 | 208 | 82,6 |
| UCF 217 | \$223,27 | 85 | 175 | 220 | 85,7 |
| UCF 218 | \$279,17 | 90 | 187 | 235 | 96 |
| | | | | | |
| | | | | | |

| KOD | FİYAT | d | J | L | B |
|---------|------------|-----|-----|-----|-----|
| UCF 305 | \$36,62 | 25 | 80 | 110 | 38 |
| UCF 306 | \$44,77 | 30 | 95 | 125 | 43 |
| UCF 307 | \$54,00 | 35 | 100 | 135 | 48 |
| UCF 308 | \$64,81 | 40 | 112 | 150 | 52 |
| UCF 309 | \$85,91 | 45 | 125 | 160 | 57 |
| UCF 310 | \$108,66 | 50 | 132 | 175 | 61 |
| UCF 311 | \$135,93 | 55 | 140 | 185 | 66 |
| UCF 312 | \$160,65 | 60 | 150 | 195 | 71 |
| UCF 313 | \$185,40 | 65 | 166 | 208 | 75 |
| UCF 314 | \$231,57 | 70 | 178 | 226 | 78 |
| UCF 315 | \$272,55 | 75 | 184 | 236 | 82 |
| UCF 316 | \$338,90 | 80 | 196 | 250 | 86 |
| UCF 317 | \$385,70 | 85 | 204 | 260 | 96 |
| UCF 318 | \$419,43 | 90 | 216 | 280 | 96 |
| UCF 319 | \$520,96 | 95 | 228 | 290 | 103 |
| UCF 320 | \$606,20 | 100 | 242 | 310 | 108 |
| UCF 322 | \$826,10 | 110 | 266 | 340 | 117 |
| UCF 324 | \$1.047,23 | 120 | 290 | 370 | 126 |
| UCF 326 | \$1.424,47 | 130 | 320 | 410 | 135 |
| UCF 328 | \$1.730,18 | 140 | 350 | 450 | 145 |

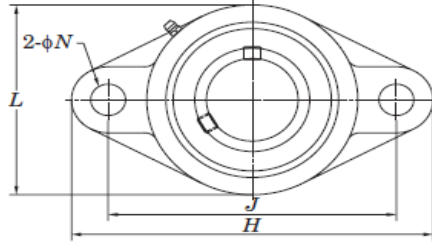
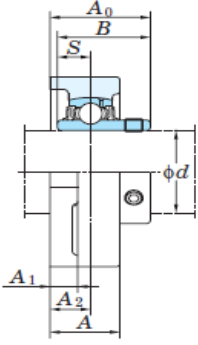
(UKF.. Serileri Konik Rulmanlıdır. (d) Mil çapı ölçüsü Manşon Takılı olarak Verilmiştir.

Yatak ölçüleri (UCF) Serisi ile aynıdır . Fiyatlarımıza Manşon **DAHİL DEĞİLDİR.**

| KOD | FİYAT | d | Manşon |
|---------|----------|----|---------------|
| UKF 205 | \$18,84 | 20 | H 305 / H2305 |
| UKF 206 | \$26,54 | 25 | H 306 / H2306 |
| UKF 207 | \$30,93 | 30 | H 307 / H2307 |
| UKF 208 | \$37,83 | 35 | H 308 / H2308 |
| UKF 209 | \$42,70 | 40 | H 309 / H2309 |
| UKF 210 | \$50,40 | 45 | H 310 / H2310 |
| UKF 211 | \$63,76 | 50 | H 311 / H2311 |
| UKF 212 | \$82,73 | 55 | H 312 / H2312 |
| UKF 213 | \$110,35 | 60 | H 313 / H2313 |
| UKF 215 | \$152,70 | 65 | H 315 / H2315 |
| UKF 216 | \$182,92 | 70 | H 316 / H2316 |
| UKF 217 | \$223,27 | 75 | H 317 / H2317 |
| UKF 218 | \$279,17 | 80 | H 318 / H2318 |

| KOD | FİYAT | d | J | L | B |
|----------|------------|-----|-----|-----|-----|
| UCFS 305 | \$44,80 | 25 | 80 | 110 | 38 |
| UCFS 306 | \$55,13 | 30 | 95 | 125 | 43 |
| UCFS 307 | \$66,92 | 35 | 100 | 135 | 48 |
| UCFS 308 | \$78,37 | 40 | 112 | 150 | 52 |
| UCFS 309 | \$104,23 | 45 | 125 | 160 | 57 |
| UCFS 310 | \$136,26 | 50 | 132 | 175 | 61 |
| UCFS 311 | \$151,31 | 55 | 140 | 185 | 66 |
| UCFS 312 | \$195,58 | 60 | 150 | 195 | 71 |
| UCFS 313 | \$224,88 | 65 | 166 | 208 | 75 |
| UCFS 314 | \$275,98 | 70 | 178 | 226 | 78 |
| UCFS 315 | \$325,75 | 75 | 184 | 236 | 82 |
| UCFS 316 | \$408,17 | 80 | 196 | 250 | 86 |
| UCFS 317 | \$485,17 | 85 | 204 | 260 | 96 |
| UCFS 318 | \$528,75 | 90 | 216 | 280 | 96 |
| UCFS 319 | \$633,01 | 95 | 228 | 290 | 103 |
| UCFS 320 | \$756,35 | 100 | 242 | 310 | 108 |
| UCFS 322 | \$1.022,18 | 110 | 266 | 340 | 117 |
| UCFS 324 | \$1.301,48 | 120 | 290 | 370 | 126 |
| UCFS 326 | \$1.785,32 | 130 | 320 | 410 | 135 |
| UCFS 328 | \$2.228,21 | 140 | 350 | 450 | 145 |





F Y H



| KOD | FİYAT | d | J | H | L |
|----------|----------|----|-----|-----|-----|
| UCFL 201 | \$17,50 | 12 | 90 | 113 | 60 |
| UCFL 202 | \$17,50 | 15 | | | |
| UCFL 203 | \$15,91 | 17 | | | |
| UCFL 204 | \$17,50 | 20 | | | |
| UCFL 205 | \$18,84 | 25 | 99 | 130 | 68 |
| UCFL 206 | \$26,54 | 30 | 117 | 148 | 80 |
| UCFL 207 | \$30,93 | 35 | 130 | 161 | 90 |
| UCFL 208 | \$37,83 | 40 | 144 | 175 | 100 |
| UCFL 209 | \$42,70 | 45 | 148 | 188 | 108 |
| UCFL 210 | \$50,40 | 50 | 157 | 197 | 115 |
| UCFL 211 | \$63,76 | 55 | 184 | 224 | 130 |
| UCFL 212 | \$82,73 | 60 | 202 | 250 | 140 |
| UCFL 213 | \$110,35 | 65 | 210 | 258 | 155 |
| UCFL 214 | \$132,49 | 70 | 216 | 265 | 160 |
| UCFL 215 | \$152,70 | 75 | 225 | 275 | 165 |
| UCFL 216 | \$182,92 | 80 | 233 | 290 | 180 |
| UCFL 217 | \$223,27 | 85 | 248 | 308 | 190 |
| UCFL 218 | \$279,17 | 90 | 265 | 320 | 205 |

| KOD | FİYAT | d | J | H | L |
|----------|------------|-----|-----|-----|-----|
| UCFL 305 | \$36,62 | 25 | 113 | 150 | 80 |
| UCFL 306 | \$44,77 | 30 | 134 | 180 | 90 |
| UCFL 307 | \$54,00 | 35 | 141 | 185 | 100 |
| UCFL 308 | \$64,81 | 40 | 158 | 200 | 112 |
| UCFL 309 | \$85,91 | 45 | 177 | 230 | 125 |
| UCFL 310 | \$108,66 | 50 | 187 | 240 | 140 |
| UCFL 311 | \$135,93 | 55 | 198 | 250 | 150 |
| UCFL 312 | \$160,65 | 60 | 212 | 270 | 160 |
| UCFL 313 | \$185,40 | 65 | 240 | 295 | 175 |
| UCFL 314 | \$231,57 | 70 | 250 | 315 | 185 |
| UCFL 315 | \$272,55 | 75 | 260 | 320 | 195 |
| UCFL 316 | \$338,90 | 80 | 285 | 355 | 210 |
| UCFL 317 | \$385,70 | 85 | 300 | 370 | 220 |
| UCFL 318 | \$419,43 | 90 | 315 | 385 | 235 |
| UCFL 319 | \$520,96 | 95 | 330 | 405 | 250 |
| UCFL 320 | \$606,20 | 100 | 360 | 440 | 270 |
| UCFL 322 | \$826,10 | 110 | 390 | 470 | 300 |
| UCFL 324 | \$1.047,23 | 120 | 430 | 520 | 330 |

(UCFL.. Serileri Konik Rulmanlıdır. (d) Mil çapı ölçüsü Manşon Ta 1424,4682
Yatak ölçüleri (UCFL) Serisi ile aynıdır . Fiyatlarımıza Manşon DA 1730,1773

| KOD | FİYAT | d | Manşon |
|----------|----------|----|---------------|
| UKFL 205 | \$18,84 | 20 | H 305 / H2305 |
| UKFL 206 | \$26,54 | 25 | H 306 / H2306 |
| UKFL 207 | \$30,93 | 30 | H 307 / H2307 |
| UKFL 208 | \$37,83 | 35 | H 308 / H2308 |
| UKFL 209 | \$42,70 | 40 | H 309 / H2309 |
| UKFL 210 | \$50,40 | 45 | H 310 / H2310 |
| UKFL 211 | \$63,76 | 50 | H 311 / H2311 |
| UKFL 212 | \$82,73 | 55 | H 312 / H2312 |
| UKFL 213 | \$110,35 | 60 | H 313 / H2313 |
| UKFL 215 | \$152,70 | 65 | H 315 / H2315 |
| UKFL 216 | \$182,92 | 70 | H 316 / H2316 |
| UKFL 217 | \$223,27 | 75 | H 317 / H2317 |
| UKFL 218 | \$279,17 | 80 | H 318 / H2318 |

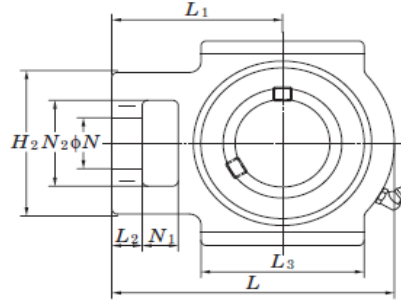
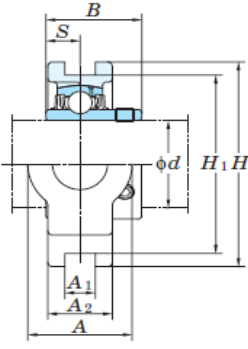
| KOD | FİYAT | d | Manşon |
|----------|------------|-----|--------|
| UKFL 305 | \$36,62 | 20 | H 2305 |
| UKFL 306 | \$44,77 | 25 | H 2306 |
| UKFL 307 | \$54,00 | 30 | H 2307 |
| UKFL 308 | \$64,81 | 35 | H 2308 |
| UKFL 309 | \$85,91 | 40 | H 2309 |
| UKFL 310 | \$108,66 | 45 | H 2310 |
| UKFL 311 | \$135,93 | 50 | H 2311 |
| UKFL 312 | \$160,65 | 55 | H 2312 |
| UKFL 313 | \$185,40 | 60 | H 2313 |
| UKFL 315 | \$272,55 | 65 | H 2315 |
| UKFL 316 | \$338,90 | 70 | H 2316 |
| UKFL 317 | \$385,70 | 75 | H 2317 |
| UKFL 318 | \$419,43 | 80 | H 2318 |
| UKFL 319 | \$520,96 | 85 | H 2319 |
| UKFL 320 | \$606,20 | 90 | H 2320 |
| UKFL 322 | \$826,10 | 100 | H 2322 |
| UKFL 324 | \$1.047,23 | 110 | H 2324 |
| | | | |
| | | | |



UCFL...



UKFL...



F Y H



| KOD | FİYAT | d | L | L1 | H |
|--------------|----------|--------------|--------------|-----|-----|
| UCT 201 | \$19,70 | 12 | 94 | 61 | 89 |
| UCT 202 | \$19,70 | 15 | | | |
| UCT 203 | \$19,70 | 17 | | | |
| UCT 204 | \$19,70 | 20 | | | |
| UCT 205 | \$22,34 | 25 | 97 | 62 | 89 |
| UCT 206 | \$28,06 | 30 | 113 | 70 | 102 |
| UCT 207 | \$32,96 | 35 | 129 | 78 | 102 |
| UCT 208 | \$41,17 | 40 | 144 | 88 | 114 |
| UCT 209 | \$47,12 | 45 | 144 | 87 | 117 |
| UCT 210 | \$53,55 | 50 | 149 | 90 | 117 |
| UCT 211 | \$72,00 | 55 | 171 | 106 | 146 |
| UCT 212 | \$85,94 | 60 | 194 | 119 | 146 |
| UCT 213 | \$116,90 | 65 | 224 | 137 | 167 |
| UCT 214 | \$143,40 | 70 | 224 | 137 | 167 |
| UCT 215 | \$159,22 | 75 | 232 | 140 | 167 |
| UCT 216 | \$183,81 | 80 | 235 | 140 | 184 |
| UCT 217 | \$225,50 | 85 | 260 | 162 | 198 |
| KOD | | FİYAT | KIZAK | | |
| UCTH 212-300 | | \$990,00 | 300mm | | |

| KOD | FİYAT | d | L | L1 | H |
|---------|------------|-----|-----|-----|-----|
| UCT 305 | \$40,73 | 25 | 122 | 76 | 89 |
| UCT 306 | \$50,11 | 30 | 137 | 85 | 100 |
| UCT 307 | \$60,84 | 35 | 150 | 94 | 111 |
| UCT 308 | \$71,24 | 40 | 162 | 100 | 124 |
| UCT 309 | \$94,75 | 45 | 178 | 110 | 138 |
| UCT 310 | \$123,87 | 50 | 191 | 117 | 151 |
| UCT 311 | \$137,55 | 55 | 207 | 127 | 163 |
| UCT 312 | \$177,80 | 60 | 220 | 135 | 178 |
| UCT 313 | \$204,43 | 65 | 238 | 146 | 190 |
| UCT 314 | \$250,89 | 70 | 252 | 155 | 202 |
| UCT 315 | \$296,13 | 75 | 262 | 160 | 216 |
| UCT 316 | \$371,06 | 80 | 282 | 174 | 230 |
| UCT 317 | \$441,06 | 85 | 298 | 183 | 240 |
| UCT 318 | \$480,68 | 90 | 312 | 192 | 255 |
| UCT 319 | \$575,46 | 95 | 322 | 198 | 270 |
| UCT 320 | \$687,59 | 100 | 345 | 210 | 290 |
| UCT 322 | \$929,25 | 110 | 385 | 235 | 320 |
| UCT 324 | \$1.183,16 | 120 | 432 | 267 | 355 |
| UCT 326 | \$1.623,01 | 130 | 465 | 285 | 385 |
| UCT 328 | \$2.025,64 | 140 | 515 | 315 | 415 |

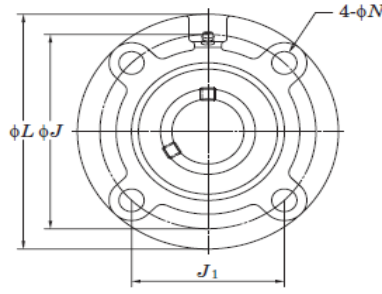
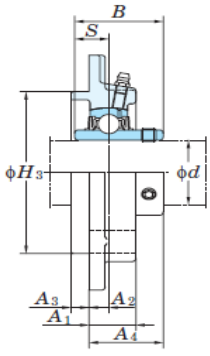
(UKT.. Serileri Konik Rulmanlıdır. (d) Mil çapı ölçüsü Manşon Takılı olarak Verilmiştir.

Yatak ölçüleri (UCT) Serisi ile aynıdır . Fiyatlarımıza Manşon **DAHİL DEĞİLDİR.**

| KOD | FİYAT | d | Manşon |
|---------|----------|----|---------------|
| UKT 205 | \$22,34 | 20 | H 305 / H2305 |
| UKT 206 | \$28,06 | 25 | H 306 / H2306 |
| UKT 207 | \$32,96 | 30 | H 307 / H2307 |
| UKT 208 | \$41,17 | 35 | H 308 / H2308 |
| UKT 209 | \$47,12 | 40 | H 309 / H2309 |
| UKT 210 | \$53,55 | 45 | H 310 / H2310 |
| UKT 211 | \$72,00 | 50 | H 311 / H2311 |
| UKT 212 | \$85,94 | 55 | H 312 / H2312 |
| UKT 213 | \$116,90 | 60 | H 313 / H2313 |
| UKT 215 | \$159,22 | 65 | H 315 / H2315 |
| UKT 216 | \$183,81 | 70 | H 316 / H2316 |
| UKT 217 | \$225,50 | 75 | H 317 / H2317 |

| KOD | FİYAT | d | Manşon |
|---------|------------|-----|--------|
| UKT 305 | \$40,73 | 20 | H 2305 |
| UKT 306 | \$50,11 | 25 | H 2306 |
| UKT 307 | \$60,84 | 30 | H 2307 |
| UKT 308 | \$71,24 | 35 | H 2308 |
| UKT 309 | \$94,75 | 40 | H 2309 |
| UKT 310 | \$123,87 | 45 | H 2310 |
| UKT 311 | \$137,55 | 50 | H 2311 |
| UKT 312 | \$177,80 | 55 | H 2312 |
| UKT 313 | \$204,43 | 60 | H 2313 |
| UKT 315 | \$296,13 | 65 | H 2315 |
| UKT 316 | \$371,06 | 70 | H 2316 |
| UKT 317 | \$441,06 | 75 | H 2317 |
| UKT 318 | \$480,68 | 80 | H 2318 |
| UKT 319 | \$575,46 | 85 | H 2319 |
| UKT 320 | \$687,59 | 90 | H 2320 |
| UKT 322 | \$929,25 | 100 | H 2322 |
| UKT 324 | \$1.183,16 | 110 | H 2324 |
| UKT 326 | \$1.623,01 | 115 | H 2326 |
| UKT 328 | \$2.025,64 | 125 | H 2328 |



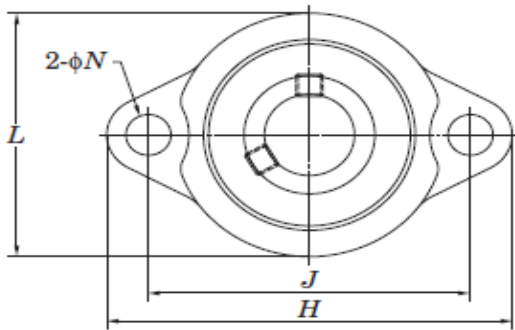


F Y H



| KOD | FİYAT | d | L | J | J1 |
|----------|----------|----|-----|-----|-------|
| UCFC 201 | \$19,70 | 12 | 100 | 78 | 55,1 |
| UCFC 202 | \$19,70 | 15 | | | |
| UCFC 203 | \$19,70 | 17 | | | |
| UCFC 204 | \$19,70 | 20 | | | |
| UCFC 205 | \$22,34 | 25 | 115 | 90 | 63,6 |
| UCFC 206 | \$28,06 | 30 | 125 | 100 | 70,7 |
| UCFC 207 | \$32,96 | 35 | 135 | 110 | 77,8 |
| UCFC 208 | \$41,17 | 40 | 145 | 120 | 84,8 |
| UCFC 209 | \$47,12 | 45 | 160 | 132 | 93,3 |
| UCFC 210 | \$53,55 | 50 | 165 | 138 | 97,6 |
| UCFC 211 | \$72,00 | 55 | 185 | 150 | 106,1 |
| UCFC 212 | \$85,94 | 60 | 195 | 160 | 113,1 |
| UCFC 213 | \$116,90 | 65 | 205 | 170 | 120,2 |
| UCFC 214 | \$143,40 | 70 | 215 | 177 | 125,1 |
| UCFC 215 | \$159,22 | 75 | 220 | 184 | 130,1 |
| UCFC 216 | \$183,81 | 80 | 240 | 200 | 141,4 |
| UCFC 217 | \$225,50 | 85 | 250 | 208 | 147,1 |
| UCFC 218 | \$318,37 | 90 | 265 | 220 | 155,5 |

| KOD | FİYAT | d | L | J | J1 |
|----------|----------|-----|-----|-----|-------|
| UCFCX 05 | \$40,50 | 25 | 111 | 92 | 65 |
| UCFCX 06 | \$47,63 | 30 | 127 | 105 | 74,2 |
| UCFCX 07 | \$60,21 | 35 | 133 | 111 | 78,5 |
| UCFCX 08 | \$72,91 | 40 | 133 | 111 | 78,5 |
| UCFCX 09 | \$77,88 | 45 | 155 | 130 | 91,9 |
| UCFCX 10 | \$92,51 | 50 | 162 | 136 | 96,2 |
| UCFCX 11 | \$124,88 | 55 | 180 | 152 | 107,5 |
| UCFCX 12 | \$148,74 | 60 | 194 | 165 | 116,7 |
| UCFCX 13 | \$167,31 | 65 | 194 | 165 | 116,7 |
| UCFCX 14 | \$210,44 | 70 | 222 | 190 | 134,3 |
| UCFCX 15 | \$235,91 | 75 | 222 | 190 | 134,3 |
| UCFCX 16 | \$306,77 | 80 | 260 | 219 | 154,8 |
| UCFCX 17 | \$347,64 | 85 | 260 | 219 | 154,8 |
| UCFCX 18 | \$419,28 | 90 | 260 | 219 | 154,8 |
| UCFCX 20 | \$642,83 | 100 | 276 | 238 | 168,3 |
| | | | | | |
| | | | | | |
| | | | | | |



F Y H



BLF...

ALF... (ŞAPKALI RULMAN)

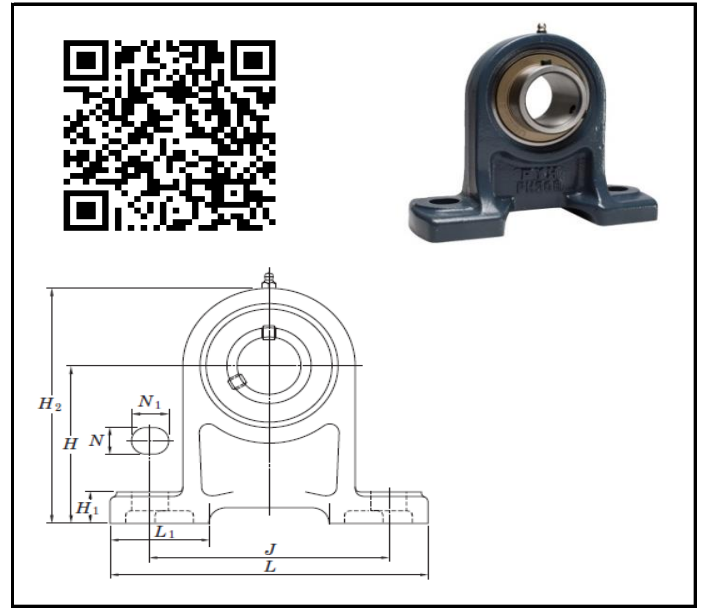
| KOD | FİYAT | d | J | H | L |
|---------|---------|----|------|-----|----|
| BLF 201 | \$16,45 | 12 | 63,5 | 81 | 52 |
| BLF 202 | \$16,45 | 15 | | | |
| BLF 203 | \$16,45 | 17 | | | |
| BLF 204 | \$17,28 | 20 | 71,5 | 90 | 60 |
| BLF 205 | \$19,54 | 25 | 76 | 95 | 64 |
| BLF 206 | \$25,84 | 30 | 90,5 | 113 | 76 |
| BLF 207 | \$31,66 | 35 | 100 | 122 | 89 |

| KOD | FİYAT | d | J | H | L |
|---------|---------|----|------|-----|----|
| ALF 201 | \$18,10 | 12 | 63,5 | 81 | 52 |
| ALF 202 | \$18,10 | 15 | | | |
| ALF 203 | \$18,10 | 17 | | | |
| ALF 204 | \$19,00 | 20 | 71,5 | 90 | 60 |
| ALF 205 | \$21,50 | 25 | 76 | 95 | 64 |
| ALF 206 | \$28,42 | 30 | 90,5 | 113 | 76 |
| ALF 207 | \$34,85 | 35 | 100 | 122 | 89 |

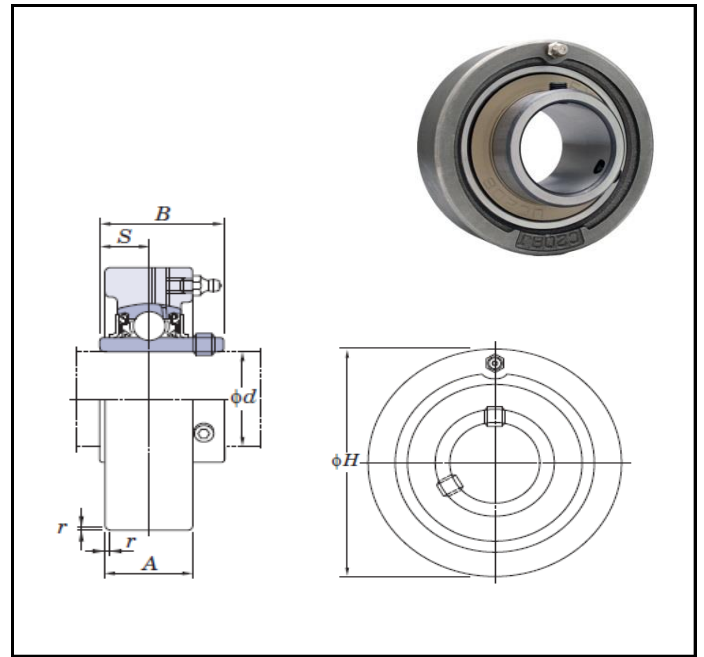
F Y H



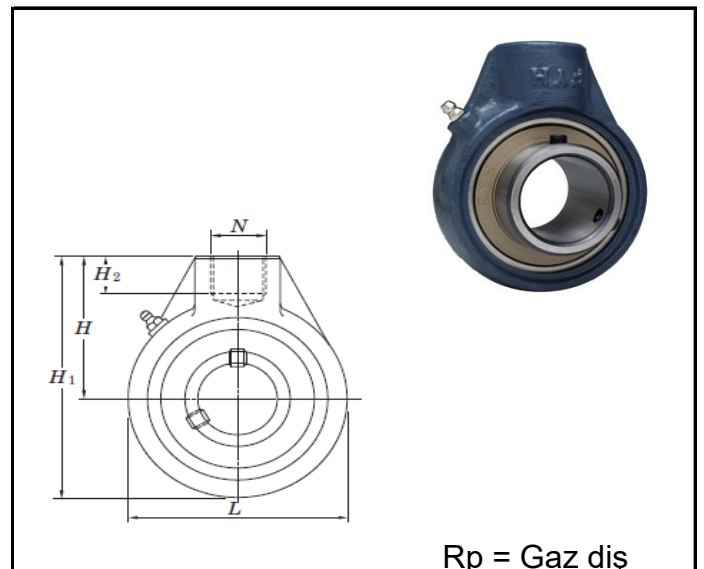
| KOD | FİYAT | d | J | L | H |
|----------|---------|----|-----|-----|-----|
| UCPH 201 | \$26,66 | 12 | 95 | 127 | 70 |
| UCPH 202 | \$26,66 | 15 | | | |
| UCPH 203 | \$26,66 | 17 | | | |
| UCPH 204 | \$26,66 | 20 | | | |
| UCPH 205 | \$31,05 | 25 | 105 | 140 | 80 |
| UCPH 206 | \$41,01 | 30 | 121 | 165 | 90 |
| UCPH 207 | \$47,66 | 35 | 127 | 167 | 95 |
| UCPH 208 | \$58,70 | 40 | 137 | 184 | 100 |
| UCPH 209 | \$61,47 | 45 | 146 | 190 | 105 |
| UCPH 210 | \$79,16 | 50 | 159 | 206 | 110 |
| | | | | | |
| | | | | | |
| | | | | | |
| | | | | | |



| KOD | FİYAT | d | H | A | B |
|---------|----------|----|-----|----|------|
| UCC 201 | \$19,70 | 12 | 72 | 20 | 31 |
| UCC 202 | \$19,70 | 15 | | | |
| UCC 203 | \$19,70 | 17 | | | |
| UCC 204 | \$19,70 | 20 | | | |
| UCC 205 | \$22,34 | 25 | 80 | 22 | 34,1 |
| UCC 206 | \$28,06 | 30 | 85 | 27 | 38,1 |
| UCC 207 | \$32,96 | 35 | 90 | 28 | 42,9 |
| UCC 208 | \$41,17 | 40 | 100 | 30 | 49,2 |
| UCC 209 | \$47,12 | 45 | 110 | 31 | 49,2 |
| UCC 210 | \$53,55 | 50 | 120 | 33 | 51,6 |
| UCC 211 | \$72,00 | 55 | 125 | 35 | 55,6 |
| UCC 212 | \$85,94 | 60 | 130 | 38 | 65,1 |
| UCC 213 | \$116,90 | 65 | 140 | 40 | 65,1 |
| UCC 315 | \$345,49 | 75 | 190 | 55 | 82 |
| UCC 316 | \$432,91 | 80 | 200 | 60 | 86 |



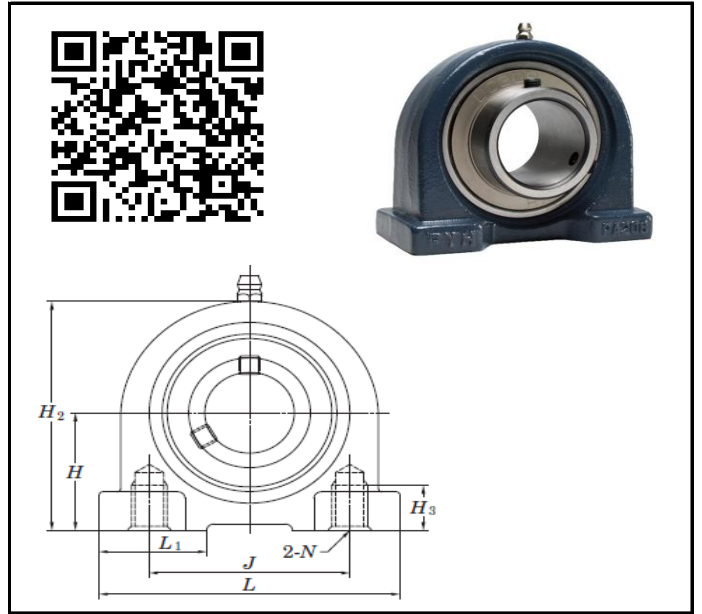
| KOD | FİYAT | d | L | H | N |
|----------|----------|----|-----|-----|---------|
| UCHA 201 | \$30,42 | 12 | 64 | 64 | Rp3/4 |
| UCHA 202 | \$30,42 | 15 | | | |
| UCHA 203 | \$30,42 | 17 | | | |
| UCHA 204 | \$30,42 | 20 | | | |
| UCHA 205 | \$35,57 | 25 | 78 | 64 | Rp3/4 |
| UCHA 206 | \$45,02 | 30 | 78 | 64 | |
| UCHA 207 | \$54,19 | 35 | 92 | 70 | |
| UCHA 208 | \$65,80 | 40 | 96 | 73 | |
| UCHA 209 | \$71,85 | 45 | 108 | 82 | Rp1 |
| UCHA 210 | \$83,84 | 50 | 118 | 83 | |
| UCHA 211 | \$105,16 | 55 | 126 | 87 | Rp1 1/4 |
| UCHA 212 | \$127,59 | 60 | 142 | 102 | |
| | | | | | |



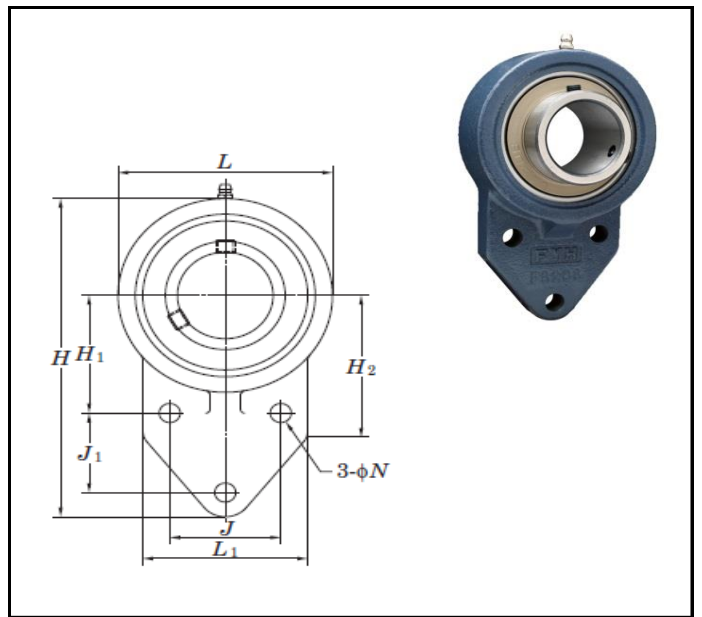
F Y H



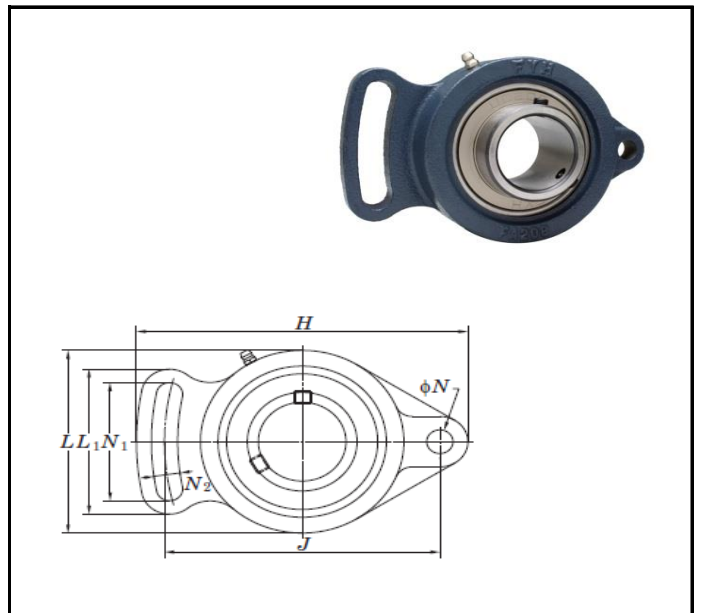
| KOD | FİYAT | d | J | L | H |
|----------|---------|----|-----|-----|------|
| UCPA 201 | \$19,70 | 12 | 52 | 76 | 30,2 |
| UCPA 202 | \$19,70 | 15 | | | |
| UCPA 203 | \$19,70 | 17 | | | |
| UCPA 204 | \$19,70 | 20 | | | |
| UCPA 205 | \$22,34 | 25 | 56 | 84 | 36,5 |
| UCPA 206 | \$28,06 | 30 | 66 | 94 | 42,9 |
| UCPA 207 | \$32,96 | 35 | 80 | 110 | 47,6 |
| UCPA 208 | \$41,17 | 40 | 84 | 116 | 49,2 |
| UCPA 209 | \$47,12 | 45 | 90 | 120 | 54,2 |
| UCPA 210 | \$53,55 | 50 | 94 | 130 | 57,2 |
| UCPA 211 | \$74,39 | 55 | 104 | 140 | 63,5 |
| | | | | | |
| | | | | | |



| KOD | FİYAT | d | J | L | H |
|----------|---------|----|----|-----|-----|
| UCFB 201 | \$19,70 | 12 | 32 | 62 | 110 |
| UCFB 202 | \$19,70 | 15 | | | |
| UCFB 203 | \$19,70 | 17 | | | |
| UCFB 204 | \$19,70 | 20 | | | |
| UCFB 205 | \$22,34 | 25 | 34 | 68 | 116 |
| UCFB 206 | \$28,06 | 30 | 40 | 78 | 130 |
| UCFB 207 | \$32,96 | 35 | 46 | 90 | 144 |
| UCFB 208 | \$41,17 | 40 | 50 | 100 | 164 |
| UCFB 209 | \$47,12 | 45 | 54 | 106 | 174 |
| UCFB 210 | \$53,55 | 50 | 58 | 112 | 184 |
| | | | | | |
| | | | | | |



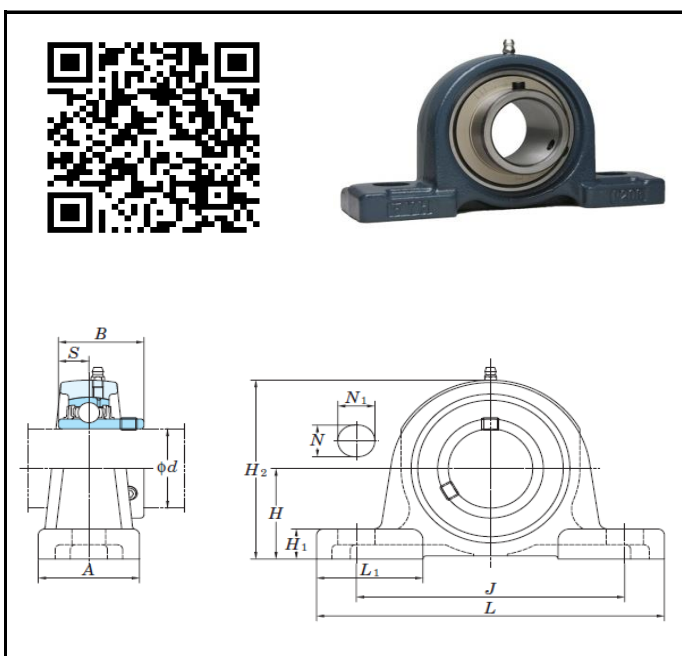
| KOD | FİYAT | d | J | L | H |
|----------|---------|----|-----|-----|-----|
| UCFA 201 | \$19,70 | 12 | 78 | 59 | 98 |
| UCFA 202 | \$19,70 | 15 | | | |
| UCFA 203 | \$19,70 | 17 | | | |
| UCFA 204 | \$19,70 | 20 | | | |
| UCFA 205 | \$22,34 | 25 | 98 | 70 | 124 |
| UCFA 206 | \$28,06 | 30 | 117 | 83 | 141 |
| UCFA 207 | \$32,96 | 35 | 130 | 96 | 155 |
| UCFA 208 | \$41,17 | 40 | 144 | 105 | 171 |
| UCFA 209 | \$47,12 | 45 | 148 | 111 | 179 |
| UCFA 210 | \$53,55 | 50 | 157 | 116 | 189 |
| UCFA 211 | \$72,00 | 55 | 184 | 133 | 216 |
| | | | | | |
| | | | | | |



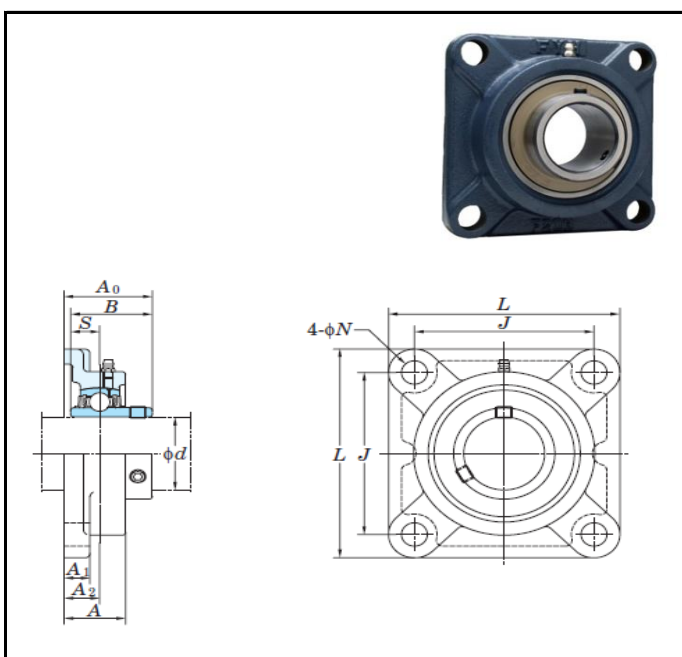
F Y H



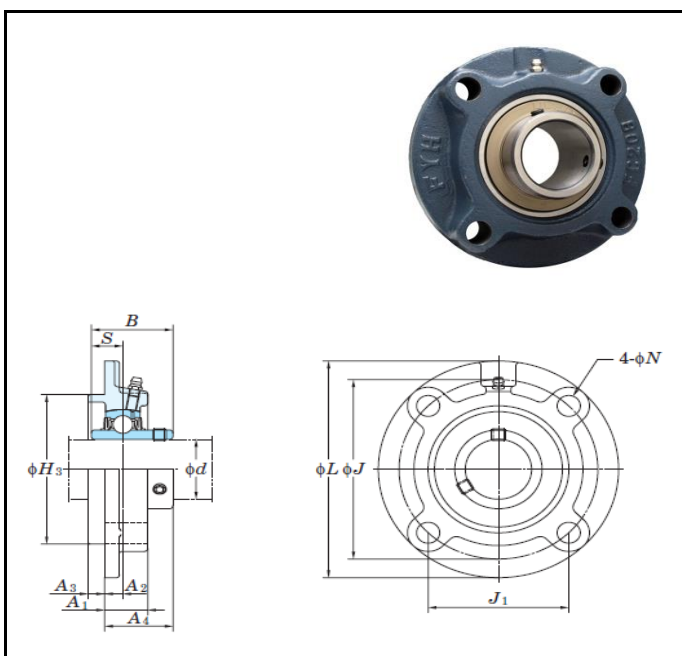
| KOD | FİYAT | d | J | L | H |
|---------|----------|-----|-----|-----|-------|
| UCPX 05 | \$40,50 | 25 | 119 | 159 | 44,4 |
| UCPX 06 | \$47,63 | 30 | 127 | 175 | 47,6 |
| UCPX 07 | \$60,21 | 35 | 144 | 203 | 54 |
| UCPX 08 | \$72,91 | 40 | 156 | 222 | 58,7 |
| UCPX 09 | \$77,88 | 45 | 156 | 222 | 58,7 |
| UCPX 10 | \$92,51 | 50 | 171 | 241 | 63,5 |
| UCPX 11 | \$124,88 | 55 | 184 | 260 | 69,8 |
| UCPX 12 | \$148,74 | 60 | 203 | 286 | 76,2 |
| UCPX 13 | \$167,31 | 65 | 203 | 286 | 76,2 |
| UCPX 14 | \$210,44 | 70 | 229 | 330 | 88,9 |
| UCPX 15 | \$235,91 | 75 | 229 | 330 | 88,9 |
| UCPX 16 | \$306,77 | 80 | 283 | 381 | 101,6 |
| UCPX 17 | \$347,64 | 85 | 283 | 381 | 101,6 |
| UCPX 18 | \$419,28 | 90 | 283 | 381 | 101,6 |
| UCPX 20 | \$642,83 | 100 | 337 | 432 | 127 |



| KOD | FİYAT | d | J | L | B |
|---------|----------|-----|-----|-----|-------|
| UCFX 05 | \$40,50 | 25 | 83 | 108 | 38,1 |
| UCFX 06 | \$47,63 | 30 | 92 | 117 | 42,9 |
| UCFX 07 | \$60,21 | 35 | 102 | 130 | 49,2 |
| UCFX 08 | \$72,91 | 40 | 105 | 137 | 49,2 |
| UCFX 09 | \$77,88 | 45 | 111 | 143 | 51,6 |
| UCFX 10 | \$92,51 | 50 | 130 | 162 | 55,6 |
| UCFX 11 | \$124,88 | 55 | 143 | 175 | 65,1 |
| UCFX 12 | \$148,74 | 60 | 149 | 187 | 65,1 |
| UCFX 13 | \$167,31 | 65 | 149 | 187 | 74,6 |
| UCFX 14 | \$210,44 | 70 | 152 | 197 | 77,8 |
| UCFX 15 | \$235,91 | 75 | 152 | 197 | 82,6 |
| UCFX 16 | \$306,77 | 80 | 171 | 214 | 85,7 |
| UCFX 17 | \$347,64 | 85 | 171 | 214 | 96 |
| UCFX 18 | \$419,28 | 90 | 171 | 214 | 104 |
| UCFX 20 | \$642,83 | 100 | 211 | 268 | 117,5 |



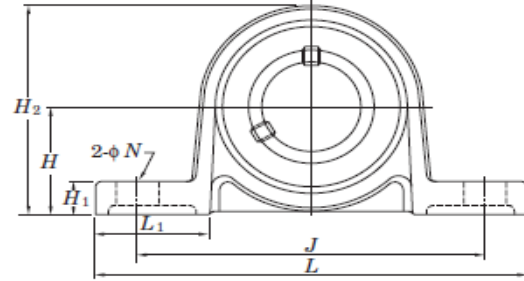
| KOD | FİYAT | d | L | J | J1 |
|----------|----------|-----|-----|-----|-------|
| UCFCX 05 | \$40,50 | 25 | 111 | 92 | 65 |
| UCFCX 06 | \$47,63 | 30 | 127 | 105 | 74,2 |
| UCFCX 07 | \$60,21 | 35 | 133 | 111 | 78,5 |
| UCFCX 08 | \$72,91 | 40 | 133 | 111 | 78,5 |
| UCFCX 09 | \$77,88 | 45 | 155 | 130 | 91,9 |
| UCFCX 10 | \$92,51 | 50 | 162 | 136 | 96,2 |
| UCFCX 11 | \$124,88 | 55 | 180 | 152 | 107,5 |
| UCFCX 12 | \$148,74 | 60 | 194 | 165 | 116,7 |
| UCFCX 13 | \$167,31 | 65 | 194 | 165 | 116,7 |
| UCFCX 14 | \$210,44 | 70 | 222 | 190 | 134,3 |
| UCFCX 15 | \$235,91 | 75 | 222 | 190 | 134,3 |
| UCFCX 16 | \$306,77 | 80 | 260 | 219 | 154,8 |
| UCFCX 17 | \$347,64 | 85 | 260 | 219 | 154,8 |
| UCFCX 18 | \$419,28 | 90 | 260 | 219 | 154,8 |
| UCFCX 20 | \$642,83 | 100 | 276 | 238 | 168,3 |



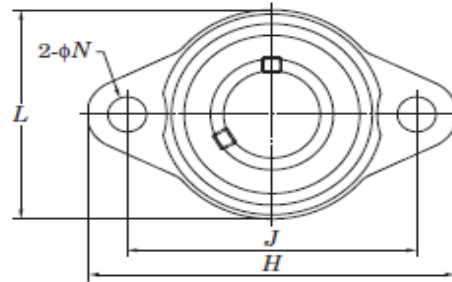
F Y H



| KOD | FİYAT | d | J | L | H |
|--------|---------|----|-----|-----|----|
| UP 000 | \$18,36 | 10 | 53 | 67 | 18 |
| UP 001 | \$19,82 | 12 | 56 | 71 | 19 |
| UP 002 | \$20,81 | 15 | 63 | 80 | 22 |
| UP 003 | \$21,64 | 17 | 67 | 85 | 24 |
| UP 004 | \$23,04 | 20 | 80 | 100 | 28 |
| UP 005 | \$26,28 | 25 | 90 | 112 | 32 |
| UP 006 | \$29,30 | 30 | 106 | 132 | 36 |
| | | | | | |
| | | | | | |
| | | | | | |
| | | | | | |
| | | | | | |
| | | | | | |
| | | | | | |
| | | | | | |

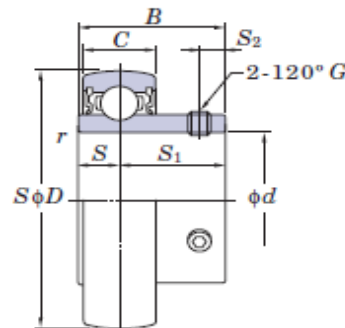


| KOD | FİYAT | d | J | L | H |
|---------|---------|----|----|----|-----|
| UFL 000 | \$18,36 | 10 | 45 | 36 | 60 |
| UFL 001 | \$19,31 | 12 | 48 | 38 | 63 |
| UFL 002 | \$19,31 | 15 | 53 | 42 | 67 |
| UFL 003 | \$20,87 | 17 | 56 | 46 | 71 |
| UFL 004 | \$23,04 | 20 | 71 | 55 | 90 |
| UFL 005 | \$26,28 | 25 | 75 | 60 | 95 |
| UFL 006 | \$27,84 | 30 | 85 | 70 | 112 |
| | | | | | |
| | | | | | |
| | | | | | |
| | | | | | |
| | | | | | |
| | | | | | |
| | | | | | |
| | | | | | |



| KOD | FİYAT | d | D | C | B |
|--------|---------|----|----|----|------|
| SU 000 | \$12,19 | 10 | 26 | 8 | 15 |
| SU 001 | \$13,24 | 12 | 28 | 8 | 15 |
| SU 002 | \$13,90 | 15 | 32 | 9 | 16,5 |
| SU 003 | \$14,41 | 17 | 35 | 10 | 17,5 |
| SU 004 | \$15,34 | 20 | 42 | 12 | 21 |
| SU 005 | \$17,50 | 25 | 47 | 12 | 22 |
| SU 006 | \$21,00 | 30 | 55 | 13 | 24,5 |
| | | | | | |
| | | | | | |
| | | | | | |
| | | | | | |
| | | | | | |
| | | | | | |
| | | | | | |
| | | | | | |

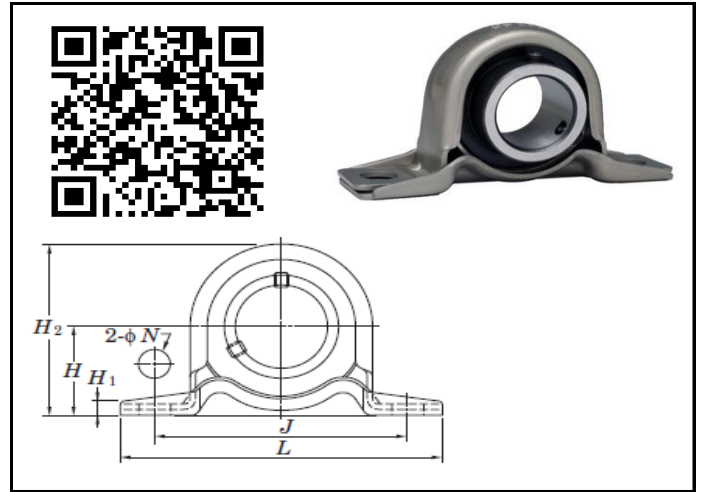
INA: RALE...NPPB
ASAHI: U...



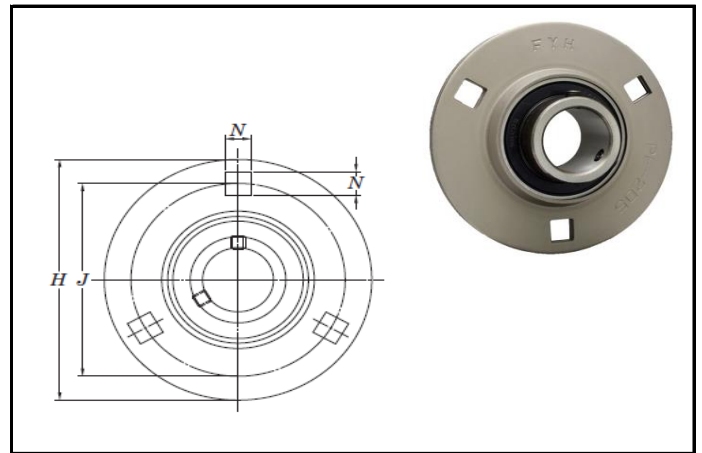
F Y H



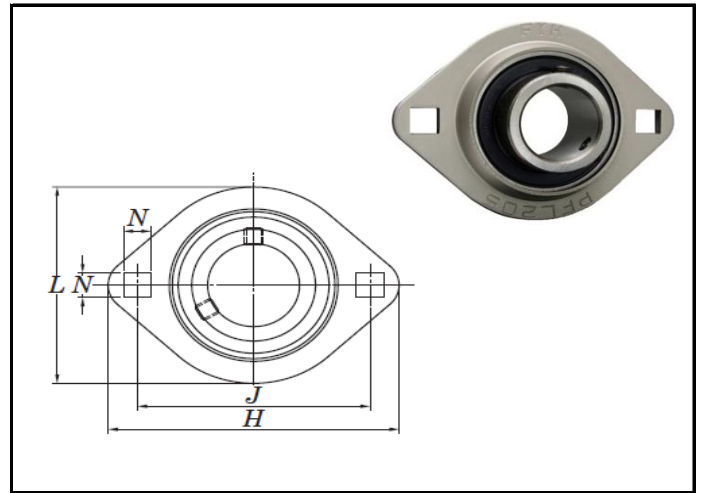
| KOD | FİYAT | d | J | L | H |
|--------|--------|----|-----|-----|------|
| PP 201 | \$3,40 | 12 | 68 | 86 | 22,2 |
| PP 202 | \$3,40 | 15 | | | |
| PP 203 | \$3,40 | 17 | | | |
| PP 204 | \$3,98 | 20 | 76 | 98 | 25,4 |
| PP 205 | \$4,74 | 25 | 86 | 108 | 28,6 |
| PP 206 | \$6,97 | 30 | 95 | 117 | 33,3 |
| PP 207 | \$8,53 | 35 | 106 | 129 | 39,7 |
| | | | | | |
| | | | | | |
| | | | | | |



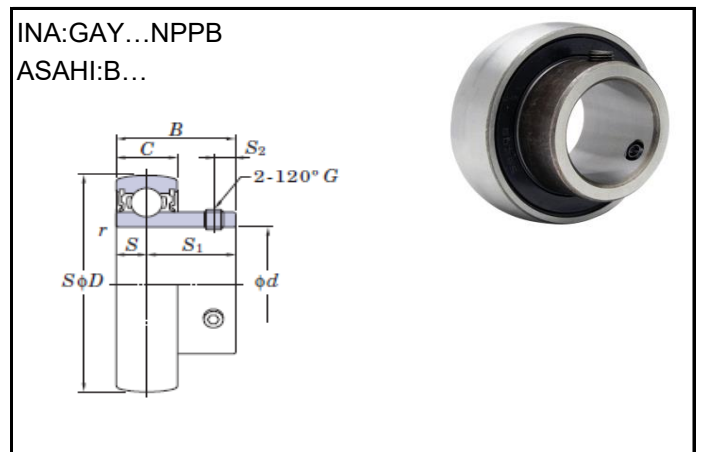
| KOD | FİYAT | d | J | H | N |
|--------|--------|----|------|-----|-----|
| PF 201 | \$3,40 | 12 | 63,5 | 81 | 7,1 |
| PF 202 | \$3,40 | 15 | | | |
| PF 203 | \$3,40 | 17 | | | |
| PF 204 | \$3,98 | 20 | 71,5 | 90 | 9 |
| PF 205 | \$4,74 | 25 | 76 | 95 | 9 |
| PF 206 | \$6,97 | 30 | 90,5 | 113 | 11 |
| PF 207 | \$8,53 | 35 | 100 | 122 | 11 |
| | | | | | |
| | | | | | |
| | | | | | |



| KOD | FİYAT | d | J | H | L |
|---------|--------|----|------|-----|----|
| PFL 201 | \$3,40 | 12 | 63,5 | 81 | 59 |
| PFL 202 | \$3,40 | 15 | | | |
| PFL 203 | \$3,40 | 17 | | | |
| PFL 204 | \$3,98 | 20 | 71,5 | 90 | 67 |
| PFL 205 | \$4,74 | 25 | 76 | 95 | 71 |
| PFL 206 | \$6,97 | 30 | 90,5 | 113 | 84 |
| PFL 207 | \$8,53 | 35 | 100 | 122 | 94 |
| | | | | | |
| | | | | | |
| | | | | | |



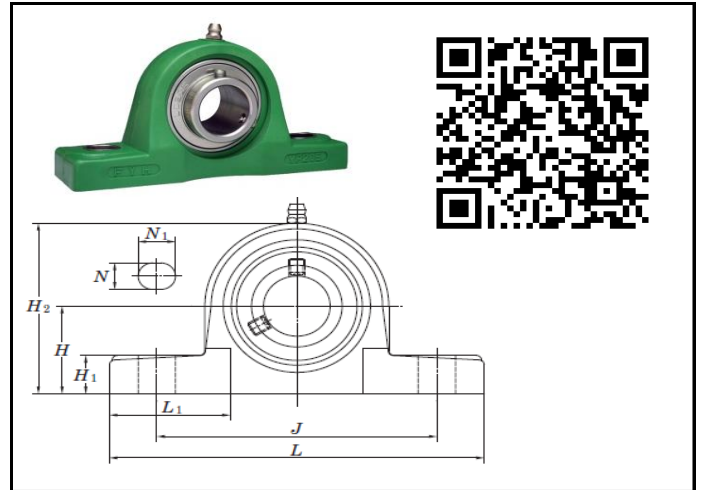
| KOD | FİYAT | d | D | C | B |
|--------|---------|----|----|----|----|
| SB 201 | \$12,63 | 12 | 40 | 12 | 22 |
| SB 202 | \$12,63 | 15 | | | |
| SB 203 | \$12,63 | 17 | | | |
| SB 204 | \$13,28 | 20 | 47 | 14 | 25 |
| SB 205 | \$14,70 | 25 | 52 | 15 | 27 |
| SB 206 | \$18,52 | 30 | 62 | 16 | 30 |
| SB 207 | \$24,32 | 35 | 72 | 17 | 32 |
| SB 208 | \$28,96 | 40 | 80 | 18 | 34 |
| | | | | | |
| | | | | | |
| | | | | | |



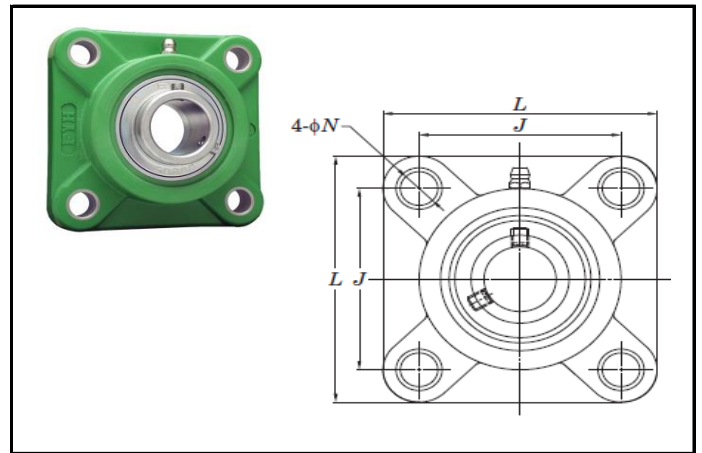
F Y H



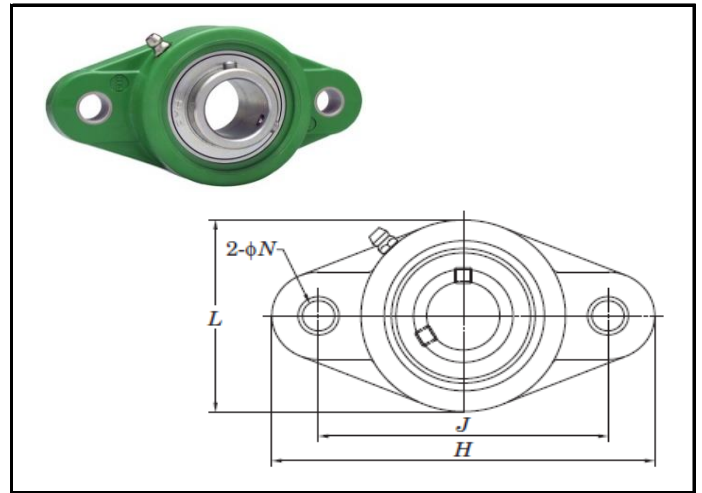
| KOD | FİYAT | d | J | L | H |
|--------|----------|----|-----|-------|------|
| VP 204 | \$43,24 | 20 | 95 | 127 | 33,3 |
| VP 205 | \$51,20 | 25 | 105 | 140,5 | 36,5 |
| VP 206 | \$61,44 | 30 | 119 | 163 | 42,9 |
| VP 207 | \$74,74 | 35 | 127 | 168 | 47,6 |
| VP 208 | \$91,89 | 40 | 137 | 184 | 49,2 |
| VP 209 | \$101,28 | 45 | 146 | 192 | 54 |
| VP 210 | \$121,64 | 50 | 159 | 206 | 57,2 |
| | | | | | |
| | | | | | |
| | | | | | |



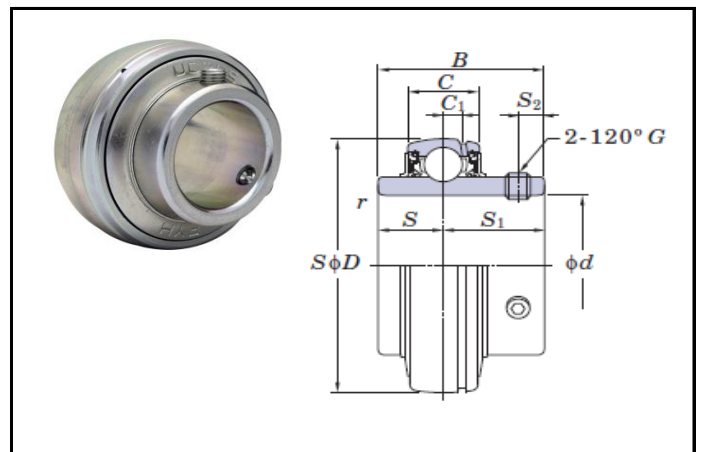
| KOD | FİYAT | d | J | L | |
|--------|----------|----|------|-----|--|
| VF 204 | \$43,24 | 20 | 63,5 | 86 | |
| VF 205 | \$51,20 | 25 | 70 | 95 | |
| VF 206 | \$61,44 | 30 | 83 | 107 | |
| VF 207 | \$74,74 | 35 | 92 | 118 | |
| VF 208 | \$91,89 | 40 | 102 | 130 | |
| VF 209 | \$101,28 | 45 | 105 | 137 | |
| VF 210 | \$121,64 | 50 | 111 | 143 | |
| | | | | | |
| | | | | | |
| | | | | | |



| KOD | FİYAT | d | J | H | L |
|---------|----------|----|-----|-----|-----|
| VFL 204 | \$43,24 | 20 | 90 | 113 | 65 |
| VFL 205 | \$51,20 | 25 | 99 | 131 | 70 |
| VFL 206 | \$61,44 | 30 | 117 | 148 | 80 |
| VFL 207 | \$74,74 | 35 | 130 | 164 | 90 |
| VFL 208 | \$91,89 | 40 | 144 | 176 | 100 |
| VFL 209 | \$101,28 | 45 | 148 | 188 | 108 |
| VFL 210 | \$121,64 | 50 | 157 | 197 | 115 |
| | | | | | |
| | | | | | |
| | | | | | |



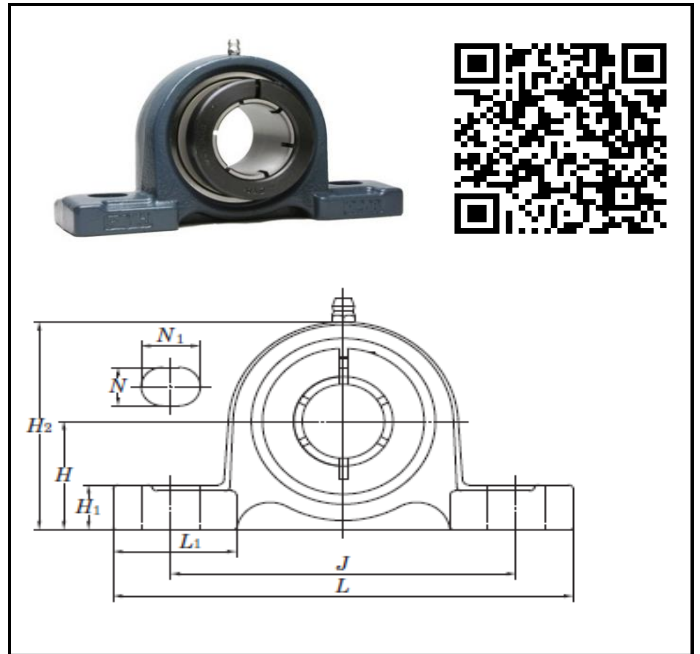
| KOD | FİYAT | d | D | C | B |
|-----------|----------|----|----|----|------|
| SN 201 S6 | \$35,19 | 12 | 40 | 13 | 27,4 |
| SN 202 S6 | \$35,19 | 15 | | | |
| SN 203 S6 | \$35,19 | 17 | | | |
| UC 204 S6 | \$35,19 | 20 | 47 | 16 | 31 |
| UC 205 S6 | \$40,70 | 25 | 52 | 17 | 34,1 |
| UC 206 S6 | \$53,93 | 30 | 62 | 19 | 38,1 |
| UC 207 S6 | \$73,50 | 35 | 72 | 20 | 42,9 |
| UC 208 S6 | \$90,46 | 40 | 80 | 21 | 49,2 |
| UC 209 S6 | \$98,19 | 45 | 85 | 22 | 49,2 |
| UC 210 S6 | \$117,31 | 50 | 90 | 24 | 51,6 |



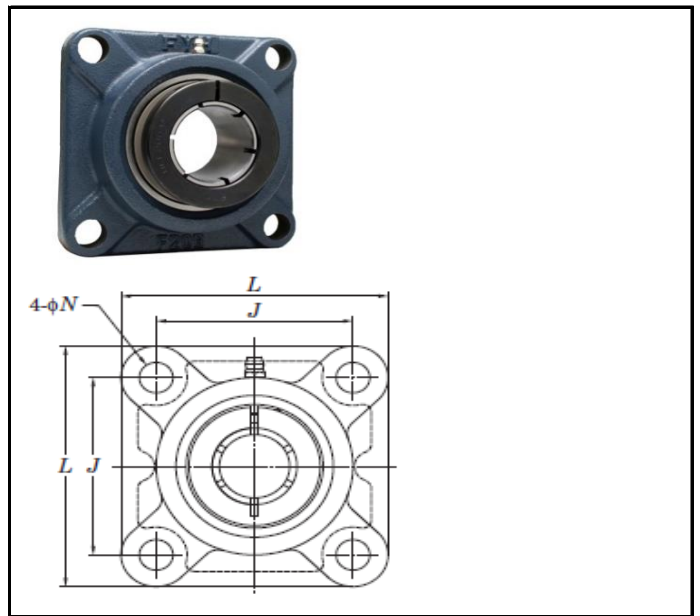
F Y H



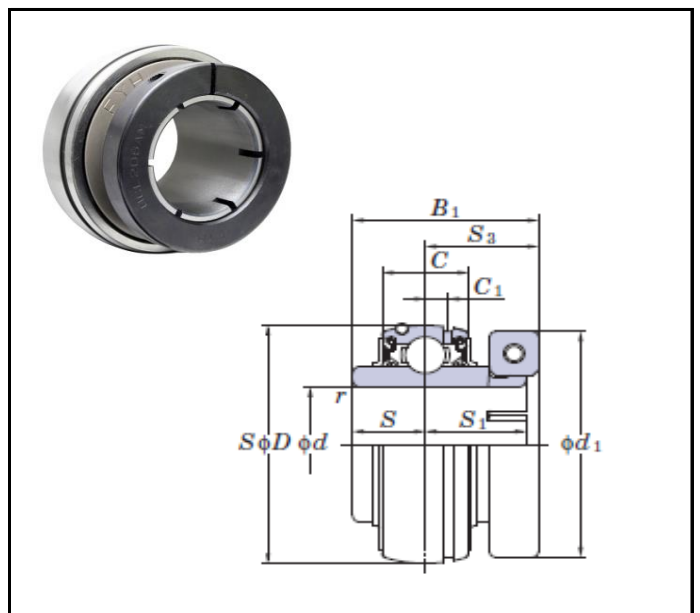
| KOD | FİYAT | d | J | L | H |
|---------|----------|----|-----|-----|------|
| NCP 204 | \$30,00 | 20 | 95 | 127 | 33,3 |
| NCP 205 | \$33,00 | 25 | 105 | 140 | 36,5 |
| NCP 206 | \$40,00 | 30 | 121 | 165 | 42,9 |
| NCP 207 | \$50,00 | 35 | 127 | 167 | 47,6 |
| NCP 208 | \$62,00 | 40 | 137 | 184 | 49,2 |
| NCP 209 | \$87,00 | 45 | 146 | 190 | 54 |
| NCP 210 | \$96,00 | 50 | 159 | 206 | 57,2 |
| NCP 211 | \$115,00 | 55 | 171 | 219 | 63,5 |
| NCP 212 | \$140,00 | 60 | 184 | 241 | 69,8 |
| | | | | | |
| | | | | | |
| | | | | | |
| | | | | | |
| | | | | | |



| KOD | FİYAT | d | J | L | |
|---------|----------|----|-----|-----|--|
| NCF 204 | \$30,00 | 20 | 64 | 86 | |
| NCF 205 | \$33,00 | 25 | 70 | 95 | |
| NCF 206 | \$40,00 | 30 | 83 | 108 | |
| NCF 207 | \$50,00 | 35 | 92 | 117 | |
| NCF 208 | \$62,00 | 40 | 102 | 130 | |
| NCF 209 | \$87,00 | 45 | 105 | 137 | |
| NCF 210 | \$96,00 | 50 | 111 | 143 | |
| NCF 211 | \$115,00 | 55 | 130 | 162 | |
| NCF 212 | \$140,00 | 60 | 143 | 175 | |
| | | | | | |
| | | | | | |
| | | | | | |
| | | | | | |
| | | | | | |



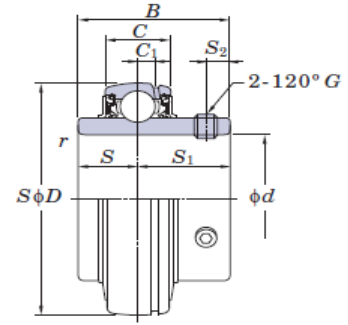
| KOD | FİYAT | d | D | C | B1 |
|--------|----------|----|-----|----|------|
| NC 204 | \$24,44 | 20 | 47 | 16 | 32,5 |
| NC 205 | \$27,80 | 25 | 52 | 17 | 36,5 |
| NC 206 | \$30,27 | 30 | 62 | 19 | 39,7 |
| NC 207 | \$42,56 | 35 | 72 | 20 | 44,5 |
| NC 208 | \$52,37 | 40 | 80 | 21 | 50,8 |
| NC 209 | \$75,28 | 45 | 85 | 22 | 50,8 |
| NC 210 | \$80,91 | 50 | 90 | 24 | 53,1 |
| NC 211 | \$97,51 | 55 | 100 | 25 | 57,1 |
| NC 212 | \$117,02 | 60 | 110 | 27 | 66,7 |
| | | | | | |
| | | | | | |
| | | | | | |
| | | | | | |
| | | | | | |



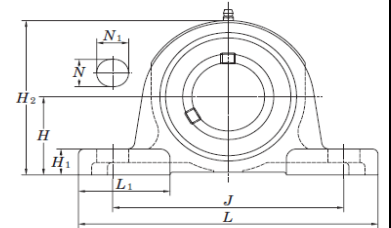
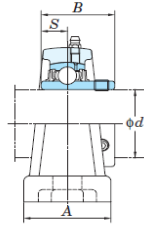
F Y H



| KOD | FİYAT | d | D | C | B |
|-------------|----------|----|-----|----|------|
| UC 201D1K2 | \$24,33 | 12 | 47 | 16 | 31 |
| UC 202 D1K2 | \$24,33 | 15 | | | |
| UC 203 D1K2 | \$24,33 | 17 | | | |
| UC 204 D1K2 | \$24,33 | 20 | | | |
| UC 205 D1K2 | \$28,31 | 25 | 52 | 17 | 34,1 |
| UC 206 D1K2 | \$33,36 | 30 | 62 | 19 | 38,1 |
| UC 207 D1K2 | \$42,08 | 35 | 72 | 20 | 42,9 |
| UC 208 D1K2 | \$47,07 | 40 | 80 | 21 | 49,2 |
| UC 209 D1K2 | \$53,66 | 45 | 85 | 22 | 49,2 |
| UC 210 D1K2 | \$59,90 | 50 | 90 | 24 | 51,6 |
| UC 211 D1K2 | \$77,82 | 55 | 100 | 25 | 55,6 |
| UC 212 D1K2 | \$97,07 | 60 | 110 | 27 | 65,1 |
| UC 213 D1K2 | \$126,42 | 65 | 120 | 28 | 65,1 |
| UC 214 D1K2 | \$154,05 | 70 | 125 | 30 | 74,6 |
| UC 215 D1K2 | \$181,68 | 75 | 130 | 32 | 77,8 |
| UC 216 D1K2 | \$211,04 | 80 | 140 | 33 | 82,6 |
| UC 217 D1K2 | \$252,92 | 85 | 150 | 35 | 85,7 |
| UC 218 D1K2 | \$312,55 | 90 | 160 | 38 | 96 |



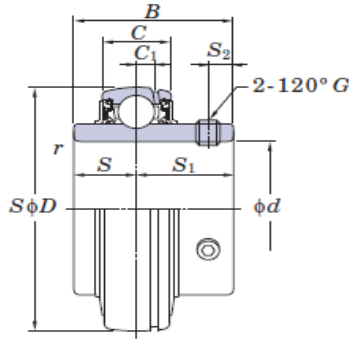
| KOD | FİYAT | d | J | L | H |
|--------------|----------|----|-----|-----|-------|
| UCP 201D1K2 | \$30,00 | 12 | 95 | 127 | 30,2 |
| UCP 202 D1K2 | \$30,00 | 15 | | | 30,2 |
| UCP 203 D1K2 | \$30,00 | 17 | | | 30,2 |
| UCP 204 D1K2 | \$30,00 | 20 | | | 33,3 |
| UCP 205 D1K2 | \$34,00 | 25 | 105 | 140 | 36,5 |
| UCP 206 D1K2 | \$42,00 | 30 | 121 | 165 | 42,9 |
| UCP 207 D1K2 | \$50,00 | 35 | 127 | 167 | 47,6 |
| UCP 208 D1K2 | \$57,00 | 40 | 137 | 184 | 49,2 |
| UCP 209 D1K2 | \$65,00 | 45 | 146 | 190 | 54 |
| UCP 210 D1K2 | \$75,00 | 50 | 159 | 206 | 57,2 |
| UCP 211 D1K2 | \$95,00 | 55 | 171 | 219 | 63,5 |
| UCP 212 D1K2 | \$120,00 | 60 | 184 | 241 | 69,8 |
| UCP 213 D1K2 | \$160,00 | 65 | 203 | 265 | 76,2 |
| UCP 214 D1K2 | \$195,00 | 70 | 210 | 266 | 79,4 |
| UCP 215 D1K2 | \$227,00 | 75 | 217 | 275 | 82,6 |
| UCP 216 D1K2 | \$266,00 | 80 | 232 | 292 | 88,9 |
| UCP 217 D1K2 | \$323,00 | 85 | 247 | 310 | 95,2 |
| UCP 218 D1K2 | \$402,00 | 90 | 262 | 327 | 101,6 |



UC... D1K2 Serisi Yüksek Isı Rulmanları.

' -40°C - +180°C "

UCP serisi ; UCF...ve UCFL Serisi İle Komple Fiyatları Aynıdır.



F Y H

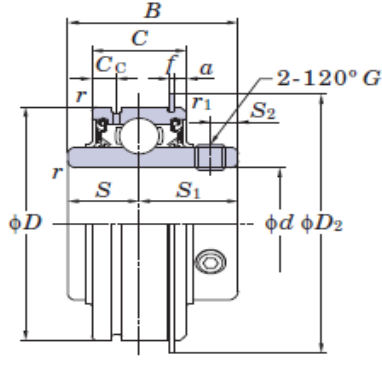


| KOD | FİYAT | d | D | C | B |
|--------|----------|----|-----|----|------|
| UC 201 | \$12,84 | 12 | 47 | 16 | 31 |
| UC 202 | \$12,72 | 15 | | | |
| UC 203 | \$12,66 | 17 | | | |
| UC 204 | \$12,54 | 20 | | | |
| UC 205 | \$14,50 | 25 | 52 | 17 | 34,1 |
| UC 206 | \$17,82 | 30 | 62 | 19 | 38,1 |
| UC 207 | \$23,08 | 35 | 72 | 20 | 42,9 |
| UC 208 | \$28,02 | 40 | 80 | 21 | 49,2 |
| UC 209 | \$31,19 | 45 | 85 | 22 | 49,2 |
| UC 210 | \$35,12 | 50 | 90 | 24 | 51,6 |
| UC 211 | \$46,59 | 55 | 100 | 25 | 55,6 |
| UC 212 | \$60,44 | 60 | 110 | 27 | 65,1 |
| UC 213 | \$78,52 | 65 | 120 | 28 | 65,1 |
| UC 214 | \$93,66 | 70 | 125 | 30 | 74,6 |
| UC 215 | \$108,56 | 75 | 130 | 32 | 77,8 |
| UC 216 | \$128,17 | 80 | 140 | 33 | 82,6 |
| UC 217 | \$154,81 | 85 | 150 | 35 | 85,7 |
| UC 218 | \$191,75 | 90 | 160 | 38 | 96 |
| | | | | | |
| | | | | | |

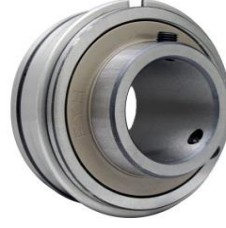
| KOD | FİYAT | d | D | C | B |
|--------|------------|-----|-----|----|-----|
| UC 305 | \$28,70 | 25 | 62 | 22 | 38 |
| UC 306 | \$35,08 | 30 | 72 | 24 | 43 |
| UC 307 | \$40,28 | 35 | 80 | 26 | 48 |
| UC 308 | \$49,11 | 40 | 90 | 28 | 52 |
| UC 309 | \$63,18 | 45 | 100 | 30 | 57 |
| UC 310 | \$79,60 | 50 | 110 | 32 | 61 |
| UC 311 | \$98,30 | 55 | 120 | 34 | 66 |
| UC 312 | \$120,35 | 60 | 130 | 36 | 71 |
| UC 313 | \$147,22 | 65 | 140 | 38 | 75 |
| UC 314 | \$181,73 | 70 | 150 | 40 | 78 |
| UC 315 | \$214,88 | 75 | 160 | 42 | 82 |
| UC 316 | \$260,05 | 80 | 170 | 44 | 86 |
| UC 317 | \$316,60 | 85 | 180 | 46 | 96 |
| UC 318 | \$355,70 | 90 | 190 | 48 | 96 |
| UC 319 | \$408,96 | 95 | 200 | 50 | 103 |
| UC 320 | \$489,27 | 100 | 215 | 54 | 108 |
| UC 322 | \$708,29 | 110 | 240 | 60 | 117 |
| UC 324 | \$887,56 | 120 | 260 | 64 | 126 |
| UC 326 | \$1.172,41 | 130 | 280 | 68 | 135 |
| UC 328 | \$1.410,12 | 140 | 300 | 72 | 145 |

| KOD | FİYAT | d | D | C | B |
|-----------|---------|--------|-----|----|------|
| UC 201-8 | \$12,84 | 12,7 | 47 | 16 | 31 |
| UC 202-10 | \$12,72 | 15,875 | 47 | 16 | 31 |
| UC 204-12 | \$12,54 | 19,050 | 47 | 16 | 31 |
| UC 205-14 | \$14,50 | 22,225 | 52 | 17 | 34,1 |
| UC 205-16 | \$14,50 | 25,400 | 52 | 17 | 34,1 |
| UC 206-18 | \$17,82 | 28,575 | 62 | 19 | 38,1 |
| UC 206-19 | \$17,82 | 30,162 | 62 | 19 | 38,1 |
| UC 207-20 | \$23,08 | 31,750 | 72 | 20 | 42,9 |
| UC 207-22 | \$23,08 | 34,925 | 72 | 20 | 42,9 |
| UC 207-23 | \$23,08 | 36,512 | 72 | 20 | 42,9 |
| UC 208-24 | \$28,02 | 38,100 | 80 | 21 | 49,2 |
| UC 209-26 | \$31,19 | 41,275 | 85 | 22 | 49,2 |
| UC 209-27 | \$31,19 | 42,862 | 85 | 22 | 49,2 |
| UC 209-28 | \$31,19 | 44,450 | 85 | 22 | 49,2 |
| UC 210-31 | \$35,12 | 49,212 | 90 | 24 | 51,6 |
| UC 211-32 | \$46,59 | 50,800 | 100 | 25 | 55,6 |
| UC 211-35 | \$46,59 | 55,560 | 100 | 25 | 55,6 |
| UC 212-36 | \$60,44 | 57,150 | 110 | 27 | 65,1 |
| UC 212-39 | \$60,44 | 61,912 | 110 | 27 | 65,1 |

| KOD | FİYAT | d | D | C | B |
|-----------|----------|---------|-----|----|-------|
| UCX 05 | \$25,96 | 25 | 62 | 19 | 38,1 |
| UCX 06 | \$31,21 | 30 | 72 | 20 | 42,9 |
| UCX 07 | \$39,05 | 35 | 80 | 21 | 49,2 |
| UCX 08 | \$42,86 | 40 | 85 | 22 | 49,2 |
| UCX 09 | \$48,53 | 45 | 90 | 24 | 51,6 |
| UCX 10 | \$59,29 | 50 | 100 | 25 | 55,6 |
| UCX 10-31 | \$59,47 | 49,212 | 100 | 25 | 55,6 |
| UCX 11 | \$75,12 | 55 | 110 | 27 | 65,1 |
| UCX 12 | \$89,89 | 60 | 120 | 28 | 65,1 |
| UCX 13 | \$108,52 | 65 | 125 | 30 | 74,6 |
| UCX 14 | \$128,10 | 70 | 130 | 32 | 77,8 |
| UCX 15 | \$152,65 | 75 | 140 | 33 | 82,6 |
| UCX 16 | \$184,67 | 80 | 150 | 35 | 85,7 |
| UCX 17 | \$226,61 | 85 | 160 | 38 | 96 |
| UCX 18 | \$274,25 | 90 | 170 | 40 | 104 |
| UCX 20 | \$388,58 | 100 | 190 | 43 | 117,5 |
| UCX 20-63 | \$472,89 | 100,010 | 190 | 43 | 117,5 |
| | | | | | |
| | | | | | |

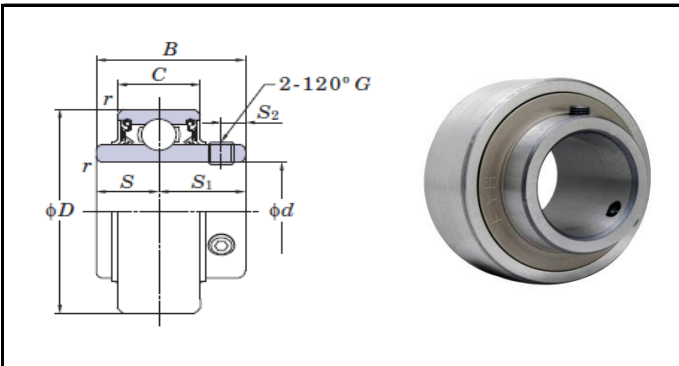


F Y H

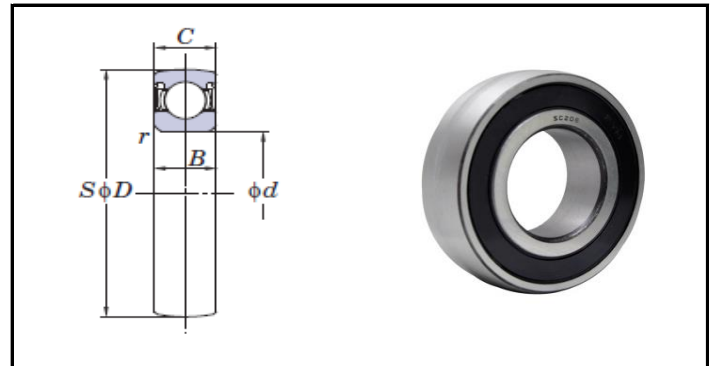


| KOD | FİYAT | d | D | C | B |
|--------|---------|----|-----|----|------|
| ER 201 | \$19,79 | 12 | 47 | 16 | 31 |
| ER 202 | \$19,67 | 15 | | | |
| ER 203 | \$19,61 | 17 | | | |
| ER 204 | \$19,49 | 20 | | | |
| ER 205 | \$22,17 | 25 | 52 | 19 | 34,1 |
| ER 206 | \$27,13 | 30 | 62 | 22 | 38,1 |
| ER 207 | \$32,96 | 35 | 72 | 24 | 42,9 |
| ER 208 | \$35,41 | 40 | 80 | 28 | 49,2 |
| ER 209 | \$45,20 | 45 | 85 | 28 | 49,2 |
| ER 210 | \$50,08 | 50 | 90 | 28 | 51,6 |
| ER 211 | \$67,32 | 55 | 100 | 30 | 55,6 |
| ER 212 | \$85,00 | 60 | 110 | 32 | 65,1 |
| | | | | | |
| | | | | | |
| | | | | | |
| | | | | | |
| | | | | | |
| | | | | | |
| | | | | | |
| | | | | | |
| | | | | | |

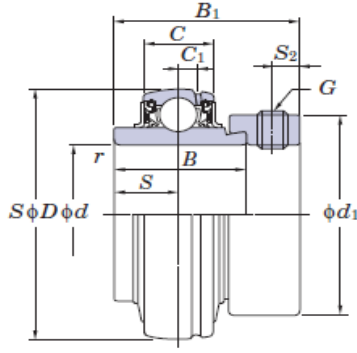
| KOD | FİYAT | d | D | C | B |
|-----------|---------|--------|-----|----|------|
| ER 202-10 | \$19,79 | 15,875 | 47 | 16 | 31 |
| ER 204-12 | \$19,49 | 19,050 | 47 | 16 | 31 |
| ER 205-14 | \$22,17 | 22,225 | 52 | 19 | 34,1 |
| ER 205-16 | \$22,17 | 25,400 | 52 | 19 | 34,1 |
| ER 206-18 | \$27,13 | 28,575 | 62 | 22 | 38,1 |
| ER 206-19 | \$27,13 | 30,162 | 62 | 22 | 38,1 |
| ER 207-20 | \$32,96 | 31,750 | 72 | 24 | 42,9 |
| ER 207-22 | \$32,96 | 34,925 | 72 | 24 | 42,9 |
| ER 207-23 | \$32,96 | 36,512 | 72 | 24 | 42,9 |
| ER 208-24 | \$35,41 | 38,100 | 80 | 28 | 49,2 |
| ER 209-26 | \$45,20 | 41,275 | 85 | 28 | 49,2 |
| ER 209-27 | \$45,20 | 42,862 | 85 | 28 | 49,2 |
| ER 209-28 | \$45,20 | 44,450 | 85 | 28 | 49,2 |
| ER 210-30 | \$50,08 | 47,625 | 90 | 28 | 51,6 |
| ER 210-31 | \$50,08 | 49,212 | 90 | 28 | 51,6 |
| ER 211-32 | \$67,32 | 50,800 | 100 | 30 | 55,6 |
| ER 211-35 | \$67,32 | 55,562 | 100 | 30 | 55,6 |
| ER 212-36 | \$85,00 | 57,150 | 110 | 32 | 65,1 |
| ER 212-39 | \$85,00 | 61,912 | 110 | 32 | 65,1 |



| KOD | FİYAT | d | D | C | B |
|--------|---------|----|----|----|------|
| RB 201 | \$16,77 | 12 | 47 | 16 | 31 |
| RB 202 | \$16,65 | 15 | | | |
| RB 203 | \$16,59 | 17 | | | |
| RB 204 | \$16,47 | 20 | | | |
| RB 205 | \$18,71 | 25 | 52 | 19 | 34,1 |
| RB 206 | \$22,96 | 30 | 62 | 22 | 38,1 |
| RB 207 | \$28,03 | 35 | 72 | 24 | 42,9 |
| RB 208 | \$34,11 | 40 | 80 | 28 | 49,2 |
| RB 209 | \$38,59 | 45 | 85 | 28 | 49,2 |
| RB 210 | \$42,69 | 50 | 90 | 28 | 51,6 |



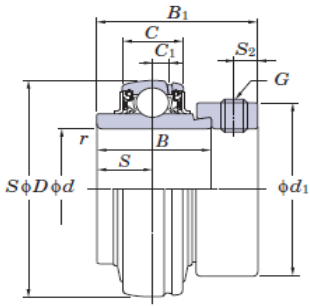
| KOD | FİYAT | d | D | C | B |
|--------|---------|----|----|----|---|
| SC 200 | \$9,35 | 10 | 30 | 9 | |
| SC 201 | \$9,35 | 12 | 32 | 10 | |
| SC 202 | \$9,35 | 15 | 35 | 11 | |
| SC 203 | \$9,35 | 17 | 40 | 12 | |
| SC 204 | \$10,54 | 20 | 47 | 14 | |
| SC 205 | \$11,55 | 25 | 52 | 15 | |
| SC 206 | \$15,43 | 30 | 62 | 16 | |
| SC 207 | \$20,12 | 35 | 72 | 17 | |
| | | | | | |
| | | | | | |



F Y H

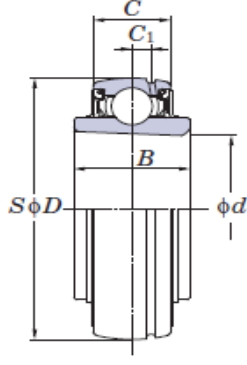
| KOD | FİYAT | d | D | C | B1 |
|--------|----------|----|-----|----|------|
| NA 201 | \$18,22 | 12 | 47 | 16 | 43,7 |
| NA 202 | \$18,10 | 15 | | | |
| NA 203 | \$17,98 | 17 | | | |
| NA 204 | \$17,80 | 20 | | | |
| NA 205 | \$20,50 | 25 | 52 | 17 | 44,4 |
| NA 206 | \$25,21 | 30 | 62 | 19 | 48,4 |
| NA 207 | \$31,72 | 35 | 72 | 20 | 51,1 |
| NA 208 | \$39,30 | 40 | 80 | 21 | 56,3 |
| NA 209 | \$43,70 | 45 | 85 | 22 | 56,3 |
| NA 210 | \$49,11 | 50 | 90 | 24 | 62,7 |
| NA 211 | \$64,72 | 55 | 100 | 25 | 71,4 |
| NA 212 | \$83,22 | 60 | 110 | 27 | 77,8 |
| NA 213 | \$100,80 | 65 | 120 | 28 | 85,7 |
| NA 214 | \$116,95 | 70 | 125 | 30 | 85,7 |
| NA 215 | \$133,72 | 75 | 130 | 32 | 92,1 |
| | | | | | |
| | | | | | |
| | | | | | |
| | | | | | |
| | | | | | |

| KOD | FİYAT | d | D | C | B1 |
|-----------|---------|--------|-----|----|------|
| NA 201-8 | \$18,22 | 12,700 | 47 | 16 | 43,7 |
| NA 202-10 | \$18,10 | 15,875 | | | |
| NA 204-12 | \$17,80 | 19,050 | | | |
| NA 205-14 | \$20,50 | 22,225 | 52 | 17 | 44,4 |
| NA 205-16 | \$20,50 | 25,400 | 52 | 17 | 44,4 |
| NA 206-18 | \$25,21 | 28,575 | 62 | 19 | 48,4 |
| NA 206-19 | \$25,21 | 30,162 | 62 | 19 | 48,4 |
| NA 206-20 | \$25,21 | 31,750 | 62 | 19 | 48,4 |
| NA 207-20 | \$31,72 | 31,750 | 72 | 20 | 51,1 |
| NA 207-22 | \$31,72 | 34,925 | 72 | 20 | 51,1 |
| NA 207-23 | \$31,72 | 36,512 | 72 | 20 | 51,1 |
| NA 208-24 | \$39,30 | 38,100 | 80 | 21 | 56,3 |
| NA 209-26 | \$43,70 | 41,275 | 85 | 22 | 56,3 |
| NA 209-27 | \$43,70 | 42,862 | 85 | 22 | 56,3 |
| NA 209-28 | \$43,70 | 44,450 | 85 | 22 | 56,3 |
| NA 210-31 | \$49,11 | 49,212 | 90 | 24 | 62,7 |
| NA 211-32 | \$64,72 | 50,800 | 100 | 25 | 71,4 |
| NA 211-35 | \$64,72 | 55,562 | 100 | 25 | 71,4 |
| NA 212-36 | \$83,22 | 57,150 | 110 | 27 | 77,8 |
| NA 212-39 | \$83,22 | 61,912 | 110 | 27 | 77,8 |



| KOD | FİYAT | d | D | C | B1 |
|--------|----------|----|-----|----|------|
| NA 306 | \$48,05 | 30 | 72 | 24 | 50 |
| NA 307 | \$53,83 | 35 | 80 | 26 | 51,6 |
| NA 308 | \$65,96 | 40 | 90 | 28 | 57,1 |
| NA 309 | \$83,93 | 45 | 100 | 30 | 58,7 |
| NA 310 | \$106,42 | 50 | 110 | 32 | 66,6 |
| NA 311 | \$130,70 | 55 | 120 | 34 | 73 |
| NA 312 | \$160,04 | 60 | 130 | 36 | 79,4 |
| NA 313 | \$188,91 | 65 | 140 | 38 | 86 |
| NA 314 | \$220,84 | 70 | 150 | 40 | 92,1 |
| NA 315 | \$271,53 | 75 | 160 | 42 | 100 |

| KOD | FİYAT | d | D | C | B1 |
|-----------|----------|--------|-----|----|------|
| NA 306-19 | \$48,05 | 30,162 | 72 | 24 | 50 |
| NA 307-23 | \$53,83 | 36,512 | 80 | 26 | 51,6 |
| NA 308-24 | \$65,96 | 38,100 | 90 | 28 | 57,1 |
| NA 309-27 | \$83,93 | 42,862 | 100 | 30 | 58,7 |
| NA 310-31 | \$106,42 | 49,212 | 110 | 32 | 66,6 |
| NA 311-35 | \$130,70 | 55,562 | 120 | 34 | 73 |
| NA 312-39 | \$160,04 | 61,912 | 130 | 36 | 79,4 |
| NA 314-43 | \$220,84 | 68,262 | 150 | 40 | 92,1 |
| NA 315-47 | \$271,53 | 74,612 | 160 | 42 | 100 |



F Y H



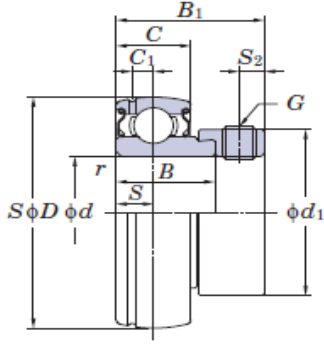
| KOD | FİYAT | d | D | C | B |
|--------|----------|----|-----|----|----|
| UK 205 | \$14,44 | 25 | 52 | 17 | 24 |
| UK 206 | \$17,52 | 30 | 62 | 19 | 27 |
| UK 207 | \$22,78 | 35 | 72 | 20 | 30 |
| UK 208 | \$27,66 | 40 | 80 | 21 | 34 |
| UK 209 | \$31,01 | 45 | 85 | 22 | 36 |
| UK 210 | \$34,22 | 50 | 90 | 24 | 36 |
| UK 211 | \$46,47 | 55 | 100 | 25 | 40 |
| UK 212 | \$59,66 | 60 | 110 | 27 | 47 |
| UK 213 | \$75,40 | 65 | 120 | 28 | 36 |
| UK 215 | \$104,30 | 75 | 130 | 32 | 40 |
| UK 216 | \$123,19 | 80 | 140 | 33 | 42 |
| UK 217 | \$148,63 | 85 | 150 | 35 | 44 |
| UK 218 | \$183,05 | 90 | 160 | 38 | 48 |
| | | | | | |
| | | | | | |
| | | | | | |
| | | | | | |
| | | | | | |
| | | | | | |
| | | | | | |
| | | | | | |
| | | | | | |

| KOD | FİYAT | d | D | C | B |
|--------|------------|-----|-----|----|----|
| UK 305 | \$28,40 | 25 | 62 | 22 | 27 |
| UK 306 | \$34,54 | 30 | 72 | 24 | 30 |
| UK 307 | \$39,62 | 35 | 80 | 26 | 33 |
| UK 308 | \$47,28 | 40 | 90 | 28 | 35 |
| UK 309 | \$61,68 | 45 | 100 | 30 | 38 |
| UK 310 | \$77,74 | 50 | 110 | 32 | 40 |
| UK 311 | \$97,58 | 55 | 120 | 34 | 43 |
| UK 312 | \$117,11 | 60 | 130 | 36 | 47 |
| UK 313 | \$144,52 | 65 | 140 | 38 | 49 |
| UK 315 | \$209,48 | 75 | 160 | 42 | 55 |
| UK 316 | \$252,79 | 80 | 170 | 44 | 55 |
| UK 317 | \$307,00 | 85 | 180 | 46 | 60 |
| UK 318 | \$345,68 | 90 | 190 | 48 | 60 |
| UK 319 | \$399,36 | 95 | 200 | 50 | 66 |
| UK 320 | \$474,27 | 100 | 215 | 54 | 68 |
| UK 322 | \$690,89 | 110 | 240 | 60 | 78 |
| UK 324 | \$870,16 | 120 | 260 | 64 | 87 |
| UK 326 | \$1.143,61 | 130 | 280 | 68 | 87 |
| UK 328 | \$1.377,12 | 140 | 300 | 72 | 97 |



| KOD | FİYAT | d | KULLANIM |
|-------|---------|----|----------|
| H 305 | \$9,93 | 20 | UK 205 |
| H 306 | \$11,93 | 25 | UK 206 |
| H 307 | \$12,85 | 30 | UK 207 |
| H 308 | \$14,57 | 35 | UK 208 |
| H 309 | \$15,94 | 40 | UK 209 |
| H 310 | \$17,95 | 45 | UK 210 |
| H 311 | \$20,24 | 50 | UK 211 |
| H 312 | \$21,86 | 55 | UK 212 |
| H 313 | \$26,41 | 60 | UK 213 |
| H 315 | \$41,94 | 65 | UK 215 |
| H 316 | \$48,90 | 70 | UK 216 |
| H 317 | \$57,02 | 75 | UK 217 |
| H 318 | \$68,79 | 80 | UK 218 |

| KOD | FİYAT | d | KULLANIM |
|--------|----------|-----|-----------------|
| H 2305 | \$10,85 | 20 | UK 205 / UK 305 |
| H 2306 | \$13,01 | 25 | UK 206 / UK 306 |
| H 2307 | \$13,94 | 30 | UK 207 / UK 307 |
| H 2308 | \$16,04 | 35 | UK 208 / UK 308 |
| H 2309 | \$17,34 | 40 | UK 209 / UK 309 |
| H 2310 | \$19,54 | 45 | UK 210 / UK 310 |
| H 2311 | \$22,91 | 50 | UK 211 / UK 311 |
| H 2312 | \$26,22 | 55 | UK 212 / UK 312 |
| H 2313 | \$33,50 | 60 | UK 213 / UK 313 |
| H 2315 | \$49,73 | 65 | UK 215 / UK 315 |
| H 2316 | \$58,83 | 70 | UK 216 / UK 316 |
| H 2317 | \$68,79 | 75 | UK 217 / UK 317 |
| H 2318 | \$79,61 | 80 | UK 218 / UK 318 |
| H 2319 | \$94,09 | 85 | UK 319 |
| H 2320 | \$105,89 | 90 | UK 320 |
| H 2322 | \$158,36 | 100 | UK 322 |
| H 2324 | \$199,12 | 110 | UK 324 |
| H 2326 | \$237,17 | 115 | UK 326 |
| H 2328 | \$277,87 | 125 | UK 328 |

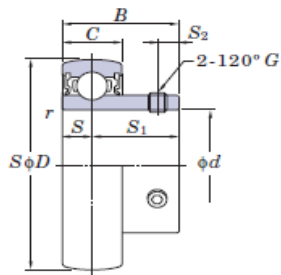


F Y H



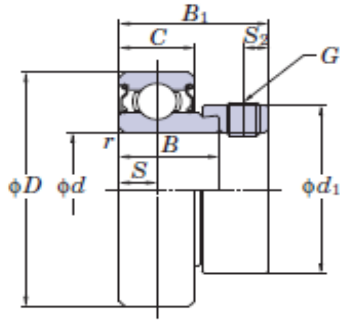
| KOD | FİYAT | d | D | C | B1 |
|------------|---------|----|-----|----|------|
| SA 201 / F | \$14,46 | 12 | 40 | 12 | 28,5 |
| SA 202 / F | \$14,46 | 15 | | | |
| SA 203 / F | \$14,46 | 17 | | | |
| SA 204 / F | \$15,09 | 20 | 47 | 14 | 29,5 |
| SA 205 / F | \$16,24 | 25 | 52 | 15 | 30,5 |
| SA 206 / F | \$21,11 | 30 | 62 | 16 | 33,9 |
| SA 207 / F | \$28,20 | 35 | 72 | 17 | 36,5 |
| SA 208 / F | \$35,55 | 40 | 80 | 18 | 40,5 |
| SA 209 / F | \$39,73 | 45 | 85 | 22 | 43,7 |
| SA 210 / F | \$44,27 | 50 | 90 | 22 | 43,7 |
| SA 211 / F | \$60,05 | 55 | 100 | 24 | 48,4 |
| | | | | | |
| | | | | | |
| | | | | | |
| | | | | | |
| | | | | | |
| | | | | | |
| | | | | | |
| | | | | | |
| | | | | | |

| KOD | FİYAT | d | D | C | B1 |
|-----------|---------|--------|-----|----|------|
| SA 201-8 | \$14,46 | 12,700 | 40 | 12 | 28,5 |
| SA 202-10 | \$14,46 | 15,875 | 40 | 12 | 28,5 |
| SA 204-12 | \$15,09 | 19,050 | 47 | 14 | 29,5 |
| SA 205-14 | \$16,24 | 22,225 | 52 | 15 | 30,5 |
| SA 205-16 | \$16,24 | 25,400 | 52 | 15 | 30,5 |
| SA 206-18 | \$21,11 | 28,575 | 62 | 16 | 33,9 |
| SA 206-19 | \$21,11 | 30,162 | 62 | 16 | 33,9 |
| SA 206-20 | \$21,11 | 31,750 | 62 | 16 | 33,9 |
| SA 207-20 | \$28,20 | 31,750 | 72 | 17 | 36,5 |
| SA 207-22 | \$28,20 | 34,925 | 72 | 17 | 36,5 |
| SA 207-23 | \$28,20 | 36,512 | 72 | 17 | 36,5 |
| SA 208-24 | \$35,55 | 38,100 | 80 | 18 | 40,5 |
| SA 209-26 | \$39,73 | 41,275 | 85 | 22 | 43,7 |
| SA 209-27 | \$39,73 | 42,862 | 85 | 22 | 43,7 |
| SA 209-28 | \$39,73 | 44,450 | 85 | 22 | 43,7 |
| SA 210-30 | \$44,27 | 47,625 | 90 | 22 | 43,7 |
| SA 210-31 | \$44,27 | 49,212 | 90 | 22 | 43,7 |
| SA 211-32 | \$60,05 | 50,800 | 100 | 24 | 48,4 |
| SA 211-35 | \$60,05 | 55,562 | 100 | 24 | 48,4 |



| KOD | FİYAT | d | D | C | B |
|--------|---------|----|----|----|----|
| SB 201 | \$12,63 | 12 | 40 | 12 | 22 |
| SB 202 | \$12,63 | 15 | | | |
| SB 203 | \$12,63 | 17 | | | |
| SB 204 | \$13,28 | 20 | 47 | 14 | 25 |
| SB 205 | \$14,70 | 25 | 52 | 15 | 27 |
| SB 206 | \$18,52 | 30 | 62 | 16 | 30 |
| SB 207 | \$24,32 | 35 | 72 | 17 | 32 |
| SB 208 | \$28,96 | 40 | 80 | 18 | 34 |
| | | | | | |
| | | | | | |
| | | | | | |
| | | | | | |

| KOD | FİYAT | d | D | C | B |
|-----------|---------|--------|----|----|----|
| SB 201-8 | \$12,63 | 12,700 | 40 | 12 | 22 |
| SB 202-10 | \$12,63 | 15,875 | 40 | 12 | 22 |
| SB 204-12 | \$13,28 | 19,050 | 47 | 14 | 25 |
| SB 205-14 | \$14,70 | 22,225 | 52 | 15 | 27 |
| SB 205-16 | \$14,70 | 25,400 | 52 | 15 | 27 |
| SB 206-18 | \$18,52 | 28,575 | 62 | 16 | 30 |
| SB 206-19 | \$18,52 | 30,162 | 62 | 16 | 30 |
| SB 207-20 | \$24,32 | 31,750 | 72 | 17 | 32 |
| SB 207-22 | \$24,32 | 34,925 | 72 | 17 | 32 |
| SB 207-23 | \$24,32 | 36,512 | 72 | 17 | 32 |
| SB 208-24 | \$28,96 | 38,100 | 80 | 18 | 34 |

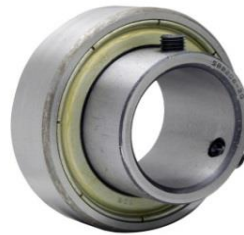
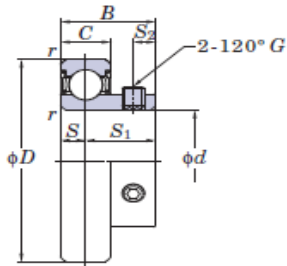


F Y H



| KOD | FİYAT | d | D | C | B1 |
|-----------|---------|----|-----|----|------|
| SAA 201 F | \$15,07 | 12 | 40 | 13 | 28,6 |
| SAA 202 F | \$15,07 | 15 | | | |
| SAA 203 F | \$15,07 | 17 | | | |
| SAA 204 F | \$16,38 | 20 | 47 | 15 | 31 |
| SAA 205 F | \$18,53 | 25 | 52 | 15 | 31 |
| SAA 206 F | \$22,28 | 30 | 62 | 18 | 35,7 |
| SAA 207 F | \$29,86 | 35 | 72 | 19 | 38,9 |
| SAA 208 F | \$37,59 | 40 | 80 | 22 | 43,7 |
| SAA 209 F | \$41,42 | 45 | 85 | 22 | 43,7 |
| SAA 210 F | \$46,15 | 50 | 90 | 22 | 43,7 |
| SAA 211 F | \$62,69 | 55 | 100 | 24 | 48,4 |
| | | | | | |
| | | | | | |
| | | | | | |
| | | | | | |
| | | | | | |
| | | | | | |

| KOD | FİYAT | d | D | C | B1 |
|--------------|---------|--------|-----|----|------|
| SAA 204-12 F | \$16,38 | 19,050 | 47 | 15 | 31 |
| SAA 205-14 F | \$18,53 | 22,225 | 52 | 15 | 31 |
| SAA 205-16 F | \$18,53 | 25,400 | 52 | 15 | 31 |
| SAA 206-18 F | \$22,28 | 28,575 | 62 | 18 | 35,7 |
| SAA 206-19 F | \$22,28 | 30,162 | 62 | 18 | 35,7 |
| SAA 206-20 F | \$22,28 | 31,750 | 62 | 18 | 35,7 |
| SAA 207-20 F | \$29,86 | 31,750 | 72 | 19 | 38,9 |
| SAA 207-22 F | \$29,86 | 34,925 | 72 | 19 | 38,9 |
| SAA 207-23 F | \$29,86 | 36,512 | 72 | 19 | 38,9 |
| SAA 208-24 F | \$37,59 | 38,100 | 80 | 22 | 43,7 |
| SAA 209-26 F | \$41,42 | 41,275 | 85 | 22 | 43,7 |
| SAA 209-27 F | \$41,42 | 42,862 | 85 | 22 | 43,7 |
| SAA 209-28 F | \$41,42 | 44,450 | 85 | 22 | 43,7 |
| SAA 210-30 F | \$46,15 | 47,625 | 90 | 22 | 43,7 |
| SAA 210-31 F | \$46,15 | 49,212 | 90 | 22 | 43,7 |
| SAA 211-32 F | \$62,69 | 50,800 | 100 | 24 | 48,4 |
| SAA 211-35 F | \$62,69 | 55,562 | 100 | 24 | 48,4 |



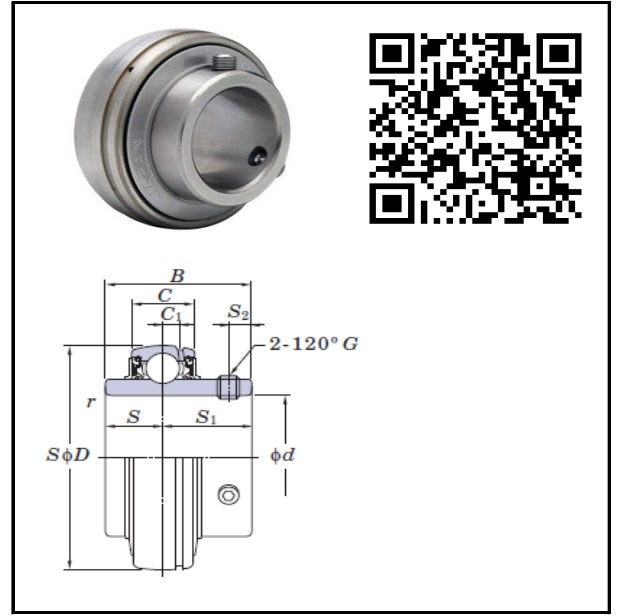
| KOD | FİYAT | d | D | C | B |
|------------|---------|----|----|----|------|
| SBB 201 RK | \$13,23 | 12 | 40 | 13 | 28,6 |
| SBB 202 RK | \$13,23 | 15 | | | |
| SBB 203 RK | \$13,23 | 17 | | | |
| SBB 204 RK | \$13,85 | 20 | 47 | 15 | 31 |
| SBB 205 RK | \$15,37 | 25 | 52 | 15 | 31 |
| SBB 206 RK | \$19,34 | 30 | 62 | 18 | 35,7 |
| SBB 207 RK | \$25,43 | 35 | 72 | 19 | 38,9 |
| SBB 208 RK | \$30,17 | 40 | 80 | 22 | 43,7 |
| | | | | | |
| | | | | | |
| | | | | | |
| | | | | | |

| KOD | FİYAT | d | D | C | B |
|------------|---------|--------|----|----|------|
| SBB 201-8 | \$13,23 | 12,7 | 40 | 13 | 28,6 |
| SBB 202-10 | \$13,23 | 15,875 | 40 | 13 | 28,6 |
| SBB 204-12 | \$13,85 | 19,050 | 47 | 15 | 31 |
| SBB 205-14 | \$15,37 | 22,225 | 52 | 15 | 31 |
| SBB 205-16 | \$15,37 | 25,400 | 52 | 15 | 31 |
| SBB 206-18 | \$19,34 | 28,575 | 62 | 18 | 35,7 |
| SBB 206-19 | \$19,34 | 30,162 | 62 | 18 | 35,7 |
| SBB 206-20 | \$19,34 | 31,750 | 62 | 18 | 35,7 |
| SBB 207-20 | \$25,43 | 31,750 | 72 | 19 | 38,9 |
| SBB 207-22 | \$25,43 | 34,925 | 72 | 19 | 38,9 |
| SBB 207-23 | \$25,43 | 36,512 | 72 | 19 | 38,9 |
| SBB 208-24 | \$30,17 | 38,100 | 80 | 22 | 43,7 |

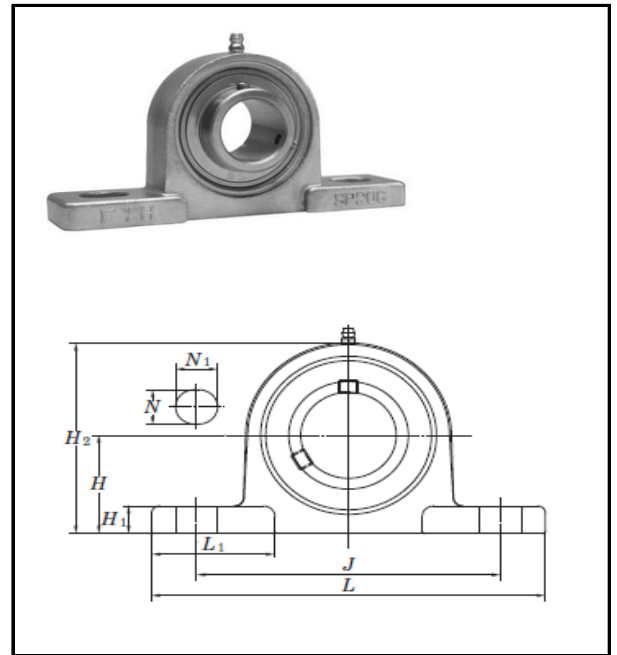
F Y H



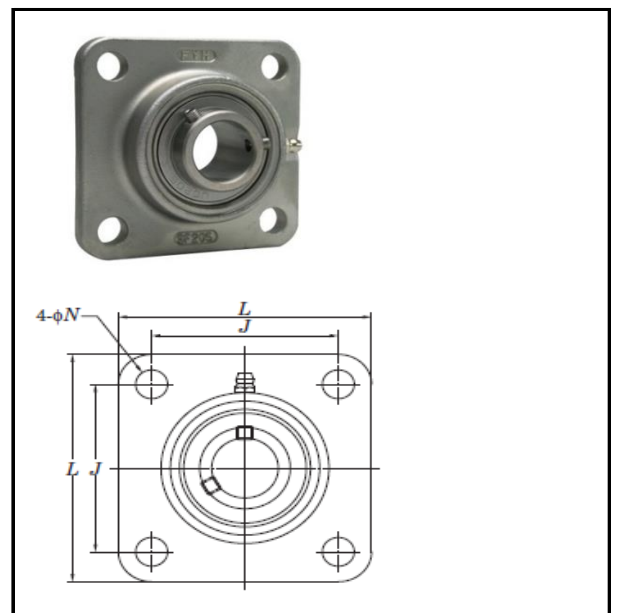
| KOD | FİYAT | d | D | C | B |
|-----------|----------|----|----|----|------|
| SN 201 S6 | \$35,19 | 12 | 40 | 13 | 27,4 |
| SN 202 S6 | \$35,19 | 15 | | | |
| SN 203 S6 | \$35,19 | 17 | | | |
| UC 204 S6 | \$35,19 | 20 | 47 | 16 | 31 |
| UC 205 S6 | \$40,70 | 25 | 52 | 17 | 34,1 |
| UC 206 S6 | \$53,93 | 30 | 62 | 19 | 38,1 |
| UC 207 S6 | \$73,50 | 35 | 72 | 20 | 42,9 |
| UC 208 S6 | \$90,46 | 40 | 80 | 21 | 49,2 |
| UC 209 S6 | \$98,19 | 45 | 85 | 22 | 49,2 |
| UC 210 S6 | \$117,31 | 50 | 90 | 24 | 51,6 |
| | | | | | |
| | | | | | |
| | | | | | |



| KOD | FİYAT | d | J | L | H |
|-------------|----------|----|-----|-----|------|
| SNSP 201 S6 | \$116,42 | 12 | 95 | 127 | 30,2 |
| SNSP 202 S6 | \$116,42 | 15 | | | |
| SNSP 203 S6 | \$116,42 | 17 | | | |
| UCSP 204 S6 | \$121,96 | 20 | 95 | 127 | 33,3 |
| UCSP 205 S6 | \$143,95 | 25 | 105 | 140 | 36,5 |
| UCSP 206 S6 | \$186,07 | 30 | 121 | 165 | 42,9 |
| UCSP 207 S6 | \$238,64 | 35 | 127 | 167 | 47,6 |
| UCSP 208 S6 | \$276,31 | 40 | 137 | 184 | 49,2 |
| UCSP 209 S6 | \$321,20 | 45 | 146 | 190 | 54 |
| UCSP 210 S6 | \$356,81 | 50 | 159 | 206 | 57,2 |
| UCSP 211 S6 | * | 55 | 171 | 219 | 63,5 |
| UCSP 212 S6 | * | 60 | 184 | 241 | 69,8 |
| | | | | | |
| | | | | | |
| | | | | | |



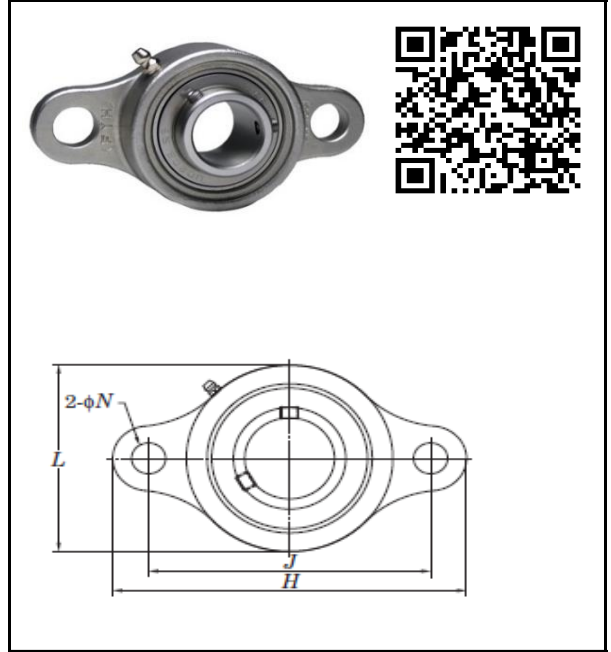
| KOD | FİYAT | d | J | L | N |
|-------------|----------|----|-----|-----|----|
| UCSF 204 S6 | \$121,96 | 20 | 64 | 86 | 12 |
| UCSF 205 S6 | \$143,95 | 25 | 70 | 95 | 12 |
| UCSF 206 S6 | \$186,07 | 30 | 83 | 108 | 12 |
| UCSF 207 S6 | \$238,64 | 35 | 92 | 117 | 14 |
| UCSF 208 S6 | \$276,31 | 40 | 102 | 130 | 16 |
| UCSF 209 S6 | \$321,20 | 45 | 105 | 137 | 16 |
| UCSF 210 S6 | \$356,81 | 50 | 111 | 143 | 16 |
| UCSF 211 S6 | * | 55 | 130 | 162 | 19 |
| UCSF 212 S6 | * | 60 | 143 | 175 | 19 |
| | | | | | |
| | | | | | |
| | | | | | |



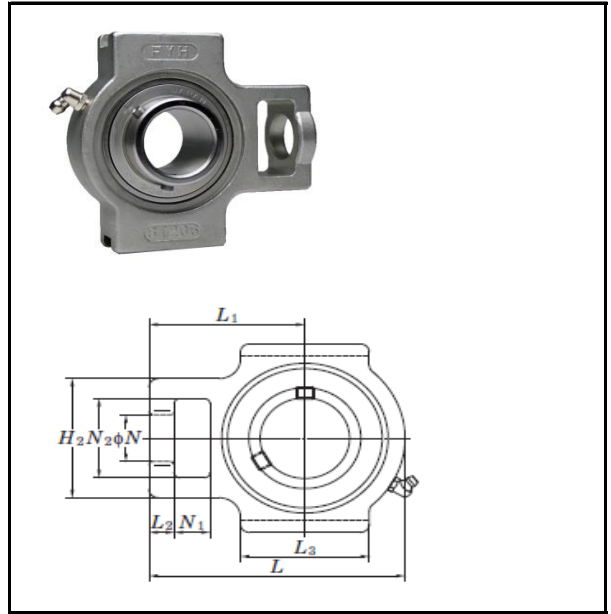
F Y H



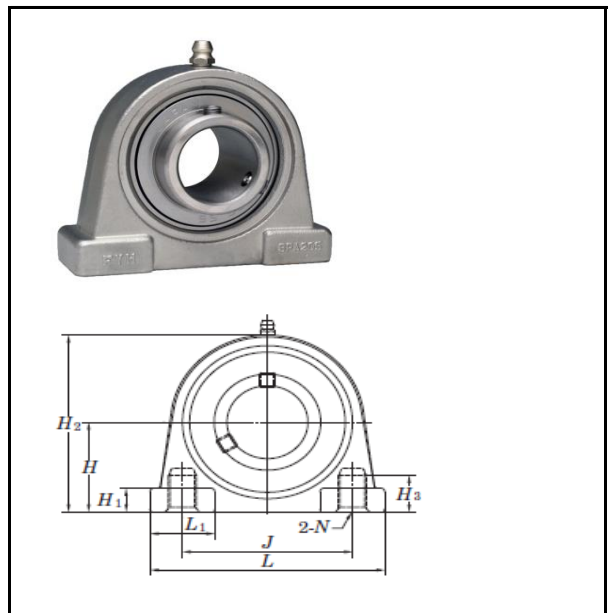
| KOD | FİYAT | d | J | L | H |
|--------------|----------|----|------|-----|-----|
| SNSFL 201 S6 | \$116,42 | 12 | 76,5 | 52 | 98 |
| SNSFL 202 S6 | \$116,42 | 15 | | | |
| SNSFL 203 S6 | \$116,42 | 17 | | | |
| UCSFL 204 S6 | \$121,96 | 20 | 90 | 60 | 113 |
| UCSFL 205 S6 | \$143,95 | 25 | 99 | 68 | 130 |
| UCSFL 206 S6 | \$186,07 | 30 | 117 | 80 | 148 |
| UCSFL 207 S6 | \$238,64 | 35 | 130 | 85 | 161 |
| UCSFL 208 S6 | \$276,31 | 40 | 144 | 94 | 175 |
| UCSFL 209 S6 | \$321,20 | 45 | 148 | 100 | 188 |
| UCSFL 210 S6 | \$356,81 | 50 | 157 | 106 | 197 |
| | | | | | |
| | | | | | |
| | | | | | |
| | | | | | |



| KOD | FİYAT | d | L | L1 | L3 |
|-------------|----------|----|-----|----|----|
| UCST 204 S6 | \$221,04 | 20 | 89 | 59 | 44 |
| UCST 205 S6 | \$247,16 | 25 | 93 | 60 | 44 |
| UCST 206 S6 | \$301,67 | 30 | 106 | 67 | 50 |
| UCST 207 S6 | \$341,89 | 35 | 119 | 75 | 56 |
| UCST 208 S6 | \$433,20 | 40 | 135 | 85 | 64 |
| UCST 209 S6 | \$449,18 | 45 | 137 | 85 | 66 |
| UCST 210 S6 | \$488,98 | 50 | 143 | 87 | 72 |
| | | | | | |
| | | | | | |
| | | | | | |
| | | | | | |



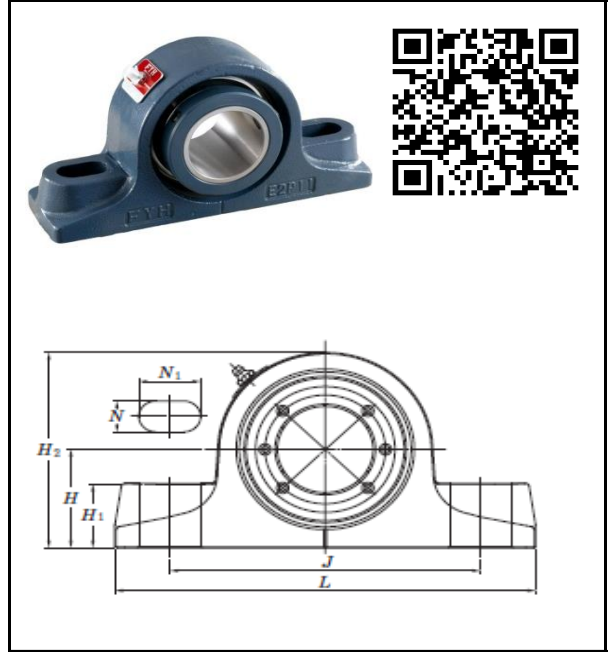
| KOD | FİYAT | d | J | L | H |
|--------------|-------|----|----|-----|------|
| UCSPA 201 S6 | | 12 | 52 | 76 | 30,2 |
| UCSPA 202 S6 | | 15 | | | |
| UCSPA 203 S6 | | 17 | | | |
| UCSPA 204 S6 | | 20 | 52 | 76 | 30,2 |
| UCSPA 205 S6 | | 25 | 56 | 84 | 36,5 |
| UCSPA 206 S6 | | 30 | 66 | 94 | 42,9 |
| UCSPA 207 S6 | | 35 | 80 | 110 | 47,6 |
| UCSPA 208 S6 | | 40 | 84 | 116 | 49,2 |
| | | | | | |
| | | | | | |
| | | | | | |
| | | | | | |



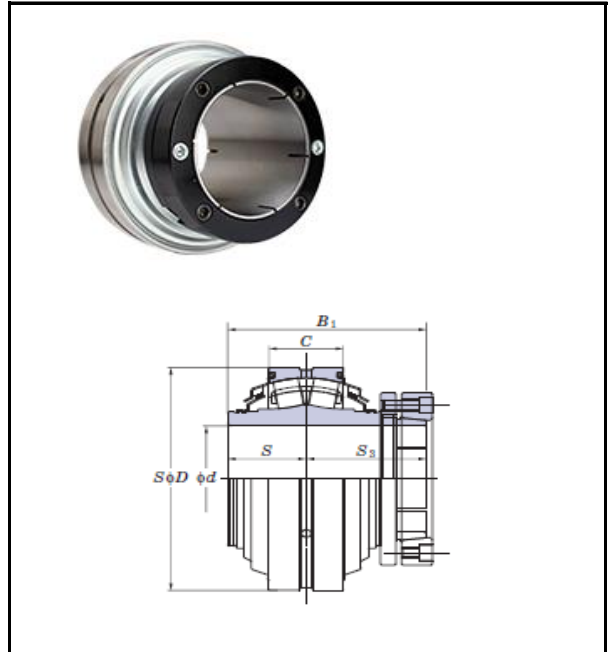
F Y H



| KOD | FİYAT | d | J | L | H |
|----------|------------|-----|-----|-----|-------|
| ZSE2P408 | \$310,48 | 40 | 134 | 187 | 47,6 |
| ZSE2P409 | \$341,76 | 45 | 147 | 200 | 54 |
| ZSE2P410 | \$361,84 | 50 | 166 | 226 | 57,2 |
| ZSE2P411 | \$471,29 | 55 | 181 | 245 | 63,5 |
| ZSE2P412 | \$522,68 | 60 | 195 | 260 | 69,8 |
| ZSE2P413 | \$522,68 | 65 | 195 | 260 | 69,8 |
| ZSE2P414 | \$685,71 | 70 | 221 | 295 | 79,5 |
| ZSE2P415 | \$685,71 | 75 | 221 | 295 | 79,5 |
| ZSE2P416 | \$1.047,58 | 80 | 262 | 343 | 95,2 |
| ZSE2P417 | \$1.047,58 | 85 | 262 | 343 | 95,2 |
| ZSE2P418 | \$1.047,58 | 90 | 262 | 343 | 95,2 |
| ZSE2P420 | \$1.369,23 | 100 | 286 | 387 | 104,9 |
| | | | | | |
| | | | | | |
| | | | | | |



| KOD | FİYAT | d | D | C | B1 |
|--------|------------|-----|-----|----|-------|
| ZS 408 | \$261,32 | 40 | 80 | 24 | 64,3 |
| ZS 409 | \$274,75 | 45 | 85 | 24 | 67,5 |
| ZS 410 | \$281,43 | 50 | 90 | 24 | 72,2 |
| ZS 411 | \$361,84 | 55 | 100 | 26 | 74,6 |
| ZS 412 | \$402,05 | 60 | 120 | 32 | 81,4 |
| ZS 413 | \$402,05 | 65 | 120 | 32 | 81,4 |
| ZS 414 | \$522,68 | 70 | 130 | 32 | 91,3 |
| ZS 415 | \$522,68 | 75 | 130 | 32 | 91,3 |
| ZS 416 | \$806,34 | 80 | 160 | 41 | 103,6 |
| ZS 417 | \$806,34 | 85 | 160 | 41 | 103,6 |
| ZS 418 | \$806,34 | 90 | 160 | 41 | 103,6 |
| ZS 420 | \$1.047,58 | 100 | 180 | 47 | 113,9 |
| | | | | | |
| | | | | | |
| | | | | | |



| FYH NO. | DODGE NO |
|----------|-------------------|
| ZSE2P408 | P2B509-ISN-040MFR |
| ZSE2P409 | P2B510-ISN-045MFR |
| ZSE2P410 | P2B511-ISN-050MFR |
| ZSE2P411 | P2B512-ISN-055MFR |
| ZSE2P412 | P2B513-ISN-060MFR |
| ZSE2P413 | P2B515-ISN-065MFR |
| ZSE2P414 | P2B516-ISN-070MFR |
| ZSE2P415 | P2B517-ISN-075MFR |
| ZSE2P416 | P2B518-ISN-080MFR |
| ZSE2P417 | P2B519-ISN-085MFR |
| ZSE2P418 | P2B520-ISN-090MFR |
| ZSE2P420 | P2B522-ISN-100MFR |
| | |
| | |
| | |

