



VİDALI MİL UÇ & SON YATAKLARI



MODEL NO	FİYAT
BK 10	
BK 12	
BK 15	
BK 17	
BK 20	
BK 25	
BK 30	
BK 40	

MODEL NO	FİYAT
BF 10	
BF 12	
BF 15	
BF 17	
BF 20	
BF 25	
BF 30	
BF 40	

MODEL NO	FİYAT
FK 10 (WBK 10)	
FK 12 (WBK 12)	
FK 15 (WBK 15)	
FK 17 (WBK 17)	
FK 20 (WBK 20)	
FK 25 (WBK 25)	
FK 30 (WBK 30)	

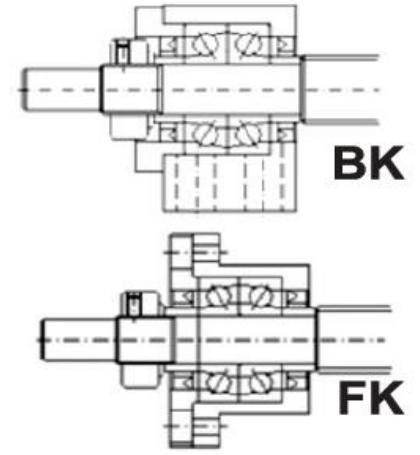
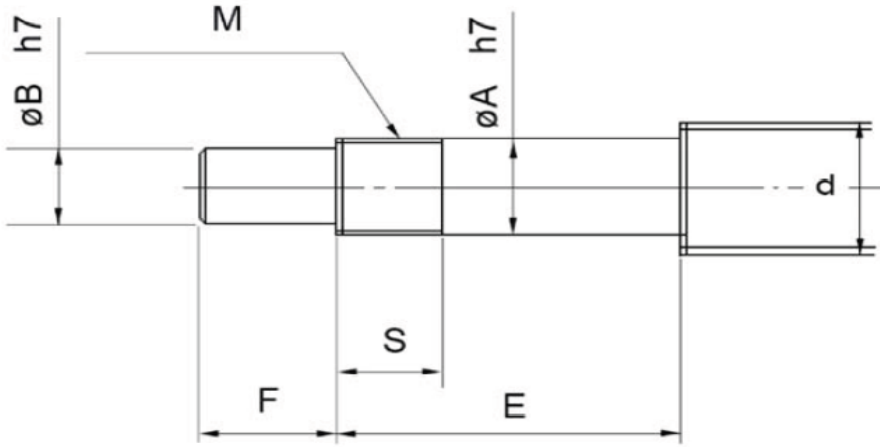


MODEL NO	FİYAT
EK 12	
EK 15	
EK 20	
MODEL NO	RULMAN
BF 10	608 ZZ
BF 12	6000 ZZ
BF 15	6002 ZZ
BF 17	6203 ZZ
BF 20	6004 ZZ
BF 25	6205 ZZ
BF 30	6206 ZZ
BF 40	6208 ZZ

MODEL NO	FİYAT
EF 12	
EF 15	
EF 20	
MODEL NO	RULMAN
FF 10	608 ZZ
FF 12	6000 ZZ
FF 15	6002 ZZ
FF 17	6203 ZZ
FF 20	6204 ZZ
FF 25	6205 ZZ
FF 30	6206 ZZ

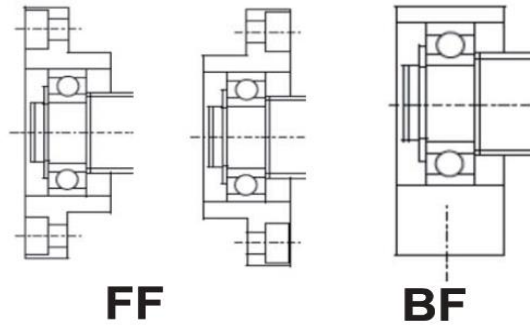
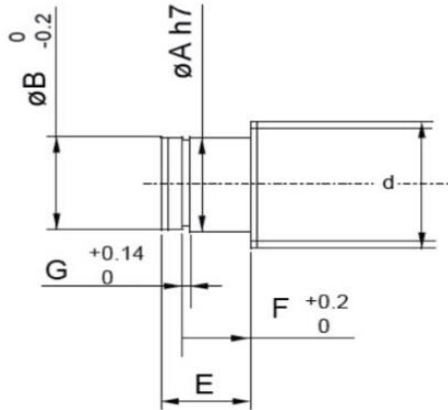
MODEL NO	FİYAT
FF 10 (WBF 10)	
FF 12 (WBF 12)	
FF 15 (WBF 15)	
FF 17 (WBF 17)	
FF 20 (WBF 20)	
FF 25 (WBF 25)	
FF 30 (WBF 30)	

BK / FK / EK SERİSİ SABİT YATAKLAMALAR İÇİN VİDALI MİL UÇ İŞLEME ÖLÇÜLERİ



Yatak Model No.			Vidalı Mil Çapı	Yatak Mil Çapı				Uç Vida Ölçüleri	
BK	FK	EK	d	A	B	E	F	M	S
BK 10			12/14/15	10	8	36	15	M10×1	16
BK 12	FK 12	EK 12	14/15/16	12	10	36	15	M12×1	14
BK 15	FK 15	EK 15	18/20	15	12	40	20	M15×1	12
BK 17			20/25	17	15	53	23	M17×1	17
BK 20	FK 20	EK 20	25/28	20	17	53	25	M20×1	15
BK 25	FK 25		32/36	25	20	65	30	M25×1.5	18
BK 30	FK 30		36/40	30	25	72	38	M30×1.5	25
BK 35			45	35	30	81	45	M35×1.5	28
BK 40			50	40	35	93	50	M40×1.5	35

BF/ FF / EF SERİSİ OYNAK YATAKLAMALAR İÇİN VİDALI MİL UÇ İŞLEME ÖLÇÜLERİ



Yatak Model No.			Vidalı Mil Çapı	Yatak Mil Çapı		Segman Kanalı		
BF	FF	EF	d	A	E	B	F	G
BF 10			12/14/15	8	10	7.6	7.9	0.9
BF 12	FF 12	EF 12	14/15/16	10	11	9.6	9.15	1.15
BF 15	FF 15	EF 15	18/20	15	13	14.3	10.15	1.15
BF 17			20/25	17	16	16.2	13.15	1.15
BF20	FF 20	EF 20	25/28/30	20	19 (16)	19	15.35(13.35)	1.35
BF 25	FF 25		30/32/36	25	20	23.9	16.35	1.35
BF 30	FF 30		36/40	30	21	28.6	17.75	1.75
BF 35			40/45	35	22	33	18.75	1.75
BF 40			50	40	23	38	19.95	1.95